



# Model 1260XL Water Hammer Arrester

## Application

Ideal for use where Lead-Free\* fittings are required. Designed to protect residential, commercial and industrial water lines during pressure surges following quick valve closure. This excessive pressure surge is absorbed by the pre-charged cushion of air permanently sealed within the water hammer arrester. The water hammer arrester may be installed within a stud bay without the need for an access panel.

## Standards Compliance

- PDI® Certified WH-201
  - ASSE® Listed 1010
  - ANSI A112.26.1
  - Certified to NSF/ANSI 372\* by IAPMO R&T
- \*(0.25% MAX. WEIGHTED AVERAGE LEAD CONTENT)



## Materials

- Body: Copper Tube (seamless, Type "L")
- Tailpiece: C69300 Low Lead Brass
- Piston: Polycarbonate (Sizes A and B), PVC (Sizes C-F)
- O-rings: EPDM
- Solder: Lead Free
- Lubricant: Dow-Corning Silicone Compound #111



## Features

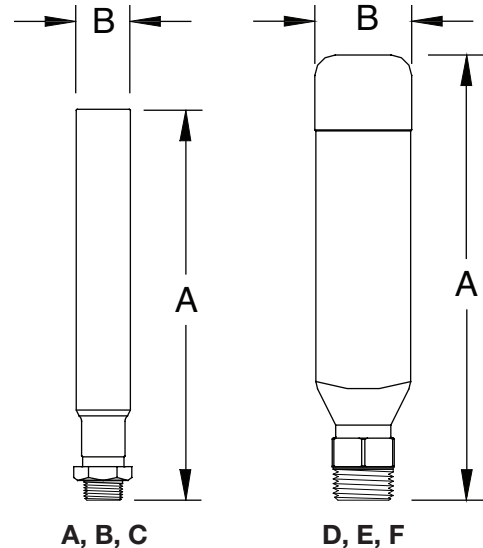
- Sizes: A, B, C, D, E, F
- Temperature range: 32°F to 212°F
- End connections: Threaded ANSI/ASME B1.20.1

## Pressure

Maximum transient pressure surge, with arrester properly sized and placed in the water supply system, will not rise above 150 psi following quick valve closure. Maximum static pressure: 250 psi. For best performance, static line pressure should not exceed 80 psi; contact the factory for proper sizing if static pressure is greater. Max spike pressure 400 psi. Nitrogen preload 60 PSI.

## Dimensions & Weights (do not include pkg.)

MODEL	PDI SIZE	MNPT THREAD		DIMENSIONS (approximate)				FIXTURE UNIT CAPACITY	PIPE SIZE in.
		in.	mm	A		B			
1260XL-A	A	1/2	15	6 1/4	159	7/8	22	1 - 11	1/2
1260XL-B	B	3/4	20	7 1/4	184	7/8	22	12 - 32	3/4
1260XL-C	C	1	25	9 1/4	235	1 1/8	28.6	33 - 60	1
1260XL-D	D	1	25	9 1/2	241	1 3/4	44	61 - 113	1 1/4
1260XL-E	E	1	25	11 1/4	286	2 1/2	64	114 - 154	1 1/2
1260XL-F	F	1	25	12	305	2 7/8	73	155 - 330	2



## Specifications

The Water Hammer Arrester shall be certified to NSF/ANSI 372, consist of a copper body with a low lead brass hexagonal male pipe threaded inlet, an acetal, polycarbonate or low lead brass piston, EPDM o-rings and lead free solder. The device shall be pre-charged and sealed at the factory. The Water Hammer Arrester shall be a ZURN WILKINS Model 1260XL.

## Sizing & Placing Data

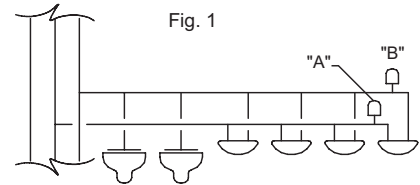
### Fixture Units Sizing Information

FIXTURE	TYPES OF SUPPLY CONTROL	FIXTURE-UNITS					
		PUBLIC			PRIVATE		
		Total	C.W	H.W	Total	C.W	H.W
Water Closet	Flush Valve	8	8	N/A	5	5	N/A
Water Closet	Flush Tank	5	5	N/A	3	2 1/2	N/A
Pedestal Urinal	Flush Valve	4	4	N/A	N/A	N/A	N/A
Stall or Wall Urinal	Flush Valve	4	4	N/A	N/A	N/A	N/A
Stall or Wall Urinal	Flush Tank	3	3	N/A	N/A	N/A	N/A
Lavatory	Faucet	2	1 1/2	1 1/2	1	1	1
Bathtub	Faucet	4	2	3	2	1 1/2	1 1/2
Shower Head	Mixing Valve	4	2	3	2	1	2
Bathroom Group	Flush Valve Closet	N/A	N/A	N/A	8	8	3
Bathroom Group	Flush Tank Closet	N/A	N/A	N/A	6	6	3
Separate Shower	Mixing Valve	N/A	N/A	N/A	2	1	2
Service Sink	Faucet	3	3	3	N/A	N/A	N/A
Laundry Tubs (1-3)	Faucet	N/A	N/A	N/A	3	3	3
Combination Fixture	Faucet	N/A	N/A	N/A	3	3	3

The values shown in the Fixture Units Sizing Information table represent the standard ratings used by engineers to size water distribution systems and are also used to size water hammer arresters. Match total fixture units to correct model of water hammer arresters required from Table I. All sizing data in this brochure are based on flow velocities of 10 F.P.S. or less. The sizing method was designed with a maximum velocity of 10 F.P.S. to offer assurance that the Water Hammer Arrester is capable of handling shock of maximum intensity that may be encountered.

EXAMPLE - Fig 1  
C.W. =26 Fixture Units  
Needs -1260XL-B

H.W. =6 Fixture Units  
Needs -1260XL-A



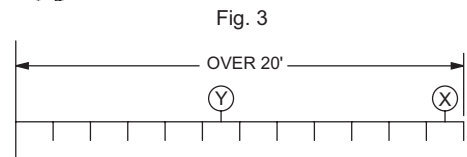
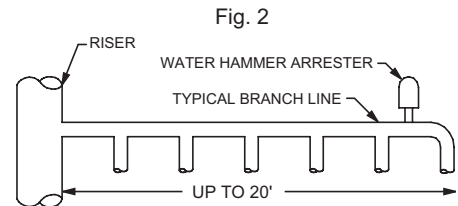
### Multi-Fixture Branch Lines

#### Rule 1 - Branch lines of 20 feet or less.

Water Hammer Arrester should be placed at the end of the branch line between the last two fixtures served, as shown at right. Select required model using fixture unit sizing.

#### Rule 2 - Branch lines exceeding 20 feet.

An additional Water Hammer Arrester should be placed as shown at right. Select required models using fixture unit sizing. The sum of the fixture unit ratings of units X and Y shall be equal to or greater than the demand of the branches.



### Long Runs Of Piping To Remote Equipment

#### Sizes for Long Runs of Piping

FOR FLOW PRESSURES UP TO 80 PSIG												
LENGTH OF PIPE	Nominal Pipe Diameter											
	1/2"		3/4"		1"		1 1/4"		1 1/2"		2"	
	*	**	*	**	*	**	*	**	*	**	*	**
25'	A	B	A	B	B	C	C	D	D	E	E	F
50'	A	B	B	C	C	D	D	E	E	F	F	CF
75'	B	C	C	D	D	E	AE	F	F	CF	EF	FF
100'	C	D	D	E	E	F	F	CF	CF	EF	FF	EFF
125'	C	D	D	E	E	CF	AF	DF	EF	FF	EFF	BFFF
150'	D	E	E	F	F	CF	DF	FF	FF	DF	FFF	FFFF

\* Flow Pressures up to 65 psig

\*\*Flow Pressures over 65 psig and up to 80 psig

When long runs of piping are employed to serve a remote item of equipment, the Water Hammer Arrester should be located as close as possible to the point of quick closure (see Fig. 4).

The size and quantity of Water Hammer Arrester to be installed in branch lines is shown in Table III. Ideally, the flow pressure in branch lines serving fixtures should never exceed 55 PSIG. Pressure reducing valves should be installed to maintain proper pressure. When, however, flow pressures of 65 to 80 PSIG are used, the next larger size Water Hammer Arrester should be selected (see table Sizes for Long Runs of Piping).

