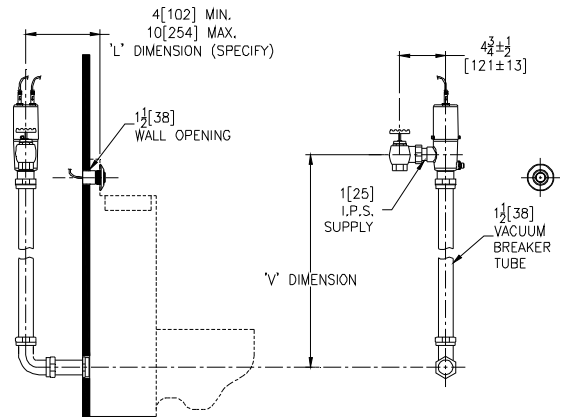




ZP6800

TAG _____

Concealed Piezo Activated Flushometer for Penal Fixtures



ENGINEERING SPECIFICATIONS

- New construction and Retrofit penal applications
 - Integrates with stainless steel water closets and combination fixtures, such as Acorn®, Bradley®, Metcraft®, Willoughby® and similar fixtures
- Proprietary DR resistant low lead brass alloy
- Filtered Piston Kit and Internal Seals made from chloramine resistant compounds.
- Flush activation via piezoelectric pushbutton switch
 - Waterproof stainless steel button is vandal and chemical resistant
 - Button fits standard 1" diameter "D" style holes
- Manual Override Button for remote flushing.
- Stainless steel escutcheon for wall openings up to 1-1/2" diameter
- 10' power supply cables for hard-wired valves
- IP67-rated, color coded connectors for simplified installation
- Vacuum Breaker rated for high back pressure with one piece hex coupling nut
- Adjustable Tailpiece
- Control Stop equipped with internal siphon-guard protection
 - Sweat solder kit
- Spud coupling and flange for back spud connection

Accessories (Order separate as specified)

Compatible with -AC Version:

P6800-ACT 24V 60Hz AC Transformer
Powers up to 8 valves

Compatible with -DC Version:

P6800-ACA-BA 7.6VDC Plug-In ACA Power Supply
Powers up to 4 valves

P6000-HW6 7.6VDC Hardwired Power Converter
Powers up to 8 valves

Others:

P6800-PJB-4 Power Junction Box (4 outputs)

P6800-PJB-8 Power Junction Box (8 outputs)

P6800-EXT 10' Extension Cable with Connectors

Flow Options (Must Select)

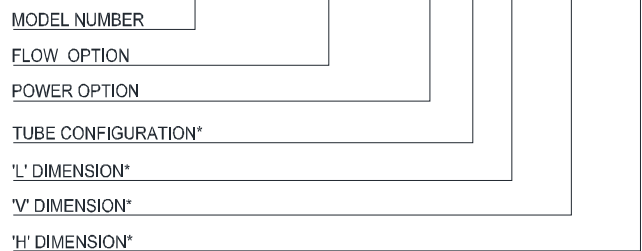
- HET-NES** 1.28 GPF High Efficiency Flush
- WS1-NES** 1.60 GPF Low Consumption Flush

Power Options (Must Select)

- AC** 24 VAC 60hz
- DC** 7.6 VDC
- BATT** 3 year Battery
- LL** 10 year Long Life Battery

Ordering Scheme

ZP6800-WS1-NES-AC-1-4L-12V-10H



* See "Tube Configuration Reference Guide" for details.

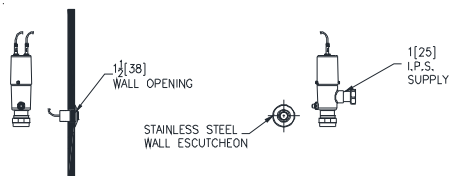
** 'L' Dimension = Wall thickness + 3"

Architectural/Engineering Approval

ZURN INDUSTRIES, LLC. ♦ COMMERCIAL BRASS OPERATION
 5900 ELWIN BUCHANAN DRIVE ♦ SANFORD NC 27330
 PHONE: 1-800-997-3876 ♦ FAX: 919-775-3541 ♦ WWW.ZURN.COM
 IN CANADA: ZURN INDUSTRIES LIMITED
 3544 NASHUA DRIVE ♦ MISSISSAUGA, ONTARIO L4V1L2
 PHONE: 905-405-8272 FAX: 905-405-1292

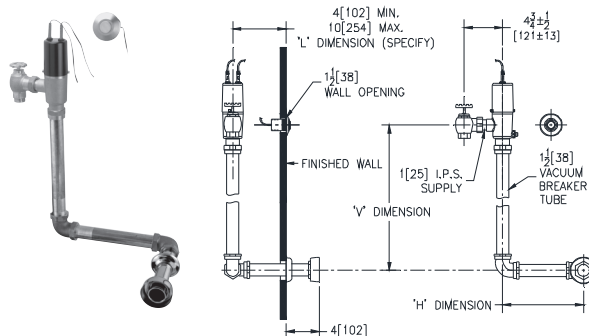
Tube Configuration Reference Guide

Tube Configuration X (Valve Body and Button Only)

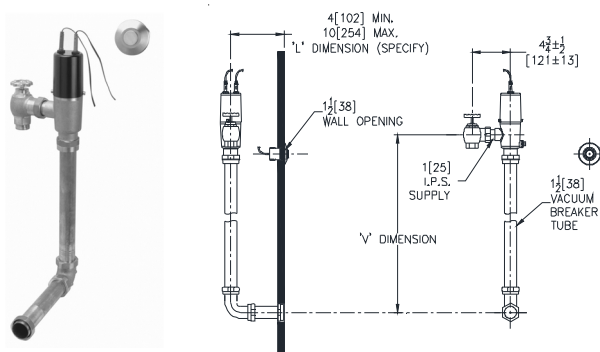


Order Scheme: ZP6800-FLOW-POWER-X

Tube Configuration 4 (1-1/2" Back Spud)

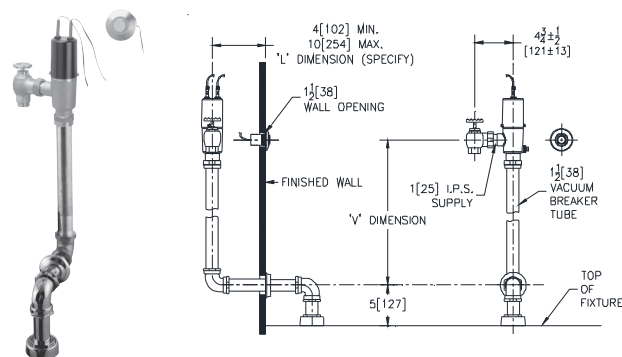


Tube Configuration 1 (1-1/2" Back Spud)



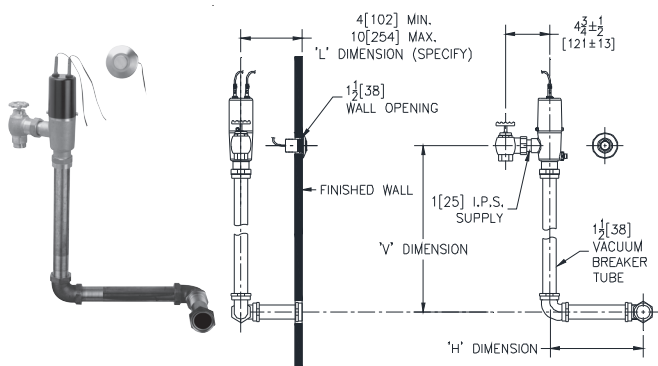
Use "0H" for 'H' Dimension on this tube configuration

Tube Configuration 5 (1-1/2" Top Spud)

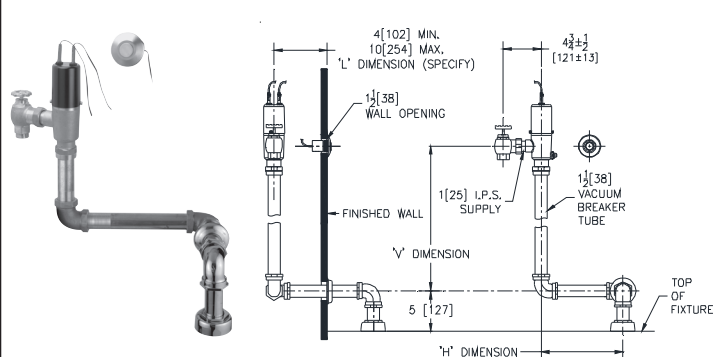


Use "0H" for 'H' Dimension on this tube configuration

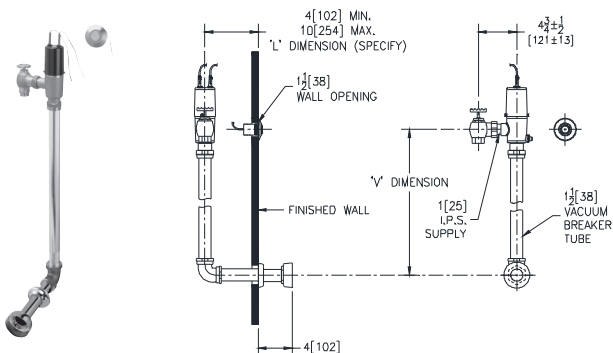
Tube Configuration 2 (1-1/2" Back Spud)



Tube Configuration 6 (1-1/2" Top Spud)



Tube Configuration 3 (1-1/2" Back Spud)



Use "0H" for 'H' Dimension on this tube configuration



ZURN INDUSTRIES, LLC. ♦ COMMERCIAL BRASS OPERATION
 5900 ELWIN BUCHANAN DRIVE ♦ SANFORD NC 27330
 PHONE: 1-800-997-3876 ♦ FAX: 919-775-3541 ♦ WWW.ZURN.COM
 IN CANADA: ZURN INDUSTRIES LIMITED
 3544 NASHUA DRIVE ♦ MISSISSAUGA, ONTARIO L4V1L2
 PHONE: 905-405-8272 FAX: 905-405-1292