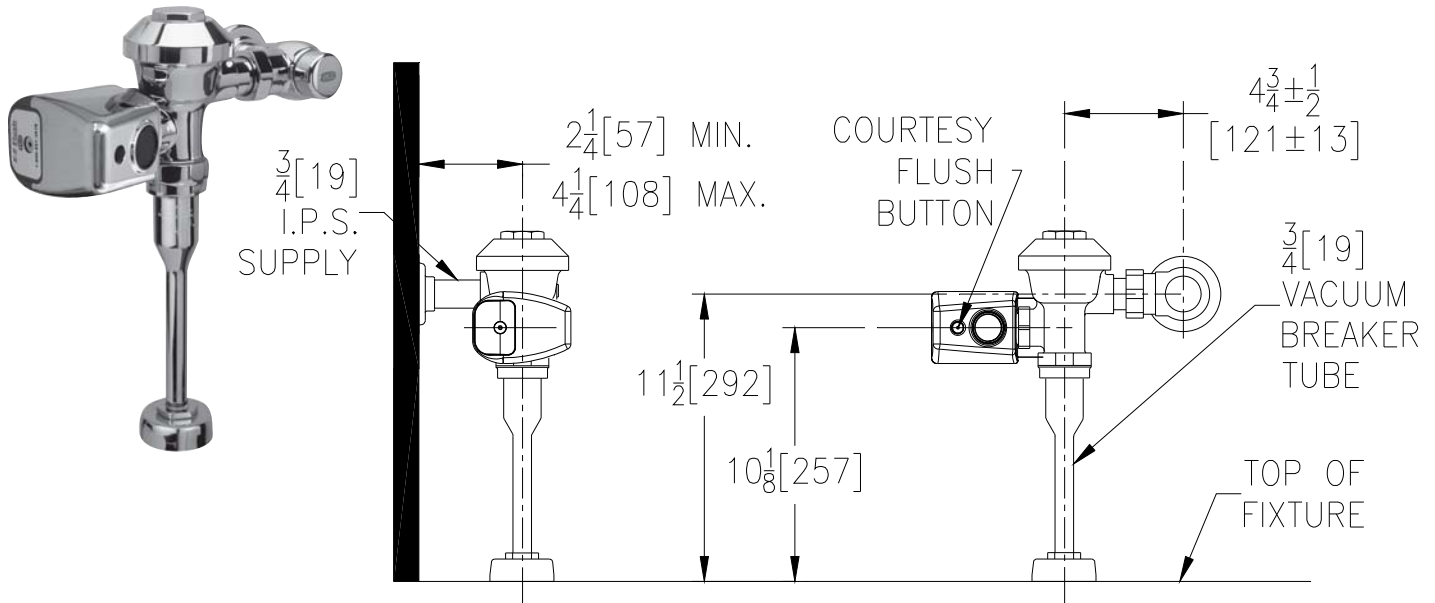




Exposed ZER6003PL-CP Model Sensor Operated Battery Powered Flush Valve For 3/4" Urinals



Flow Options

<input type="checkbox"/> -ULF	0.125 GPF
<input type="checkbox"/> -EWS	0.5 GPF
<input type="checkbox"/> -WS1	1.0 GPF
<input type="checkbox"/>	1.5 GPF

Suffix Options (Check/Specify Appropriate Options)

_____ -TFB	Triple Filter Bypass (Not available for -ULF)
_____ -YJ	Split Ring Pipe Support
_____ -YK	Solid Ring Pipe Support
_____	Other

ENGINEERING SPECIFICATION: ZURN ZER6003PL-CP AquaSense Exposed Urinal Flush Valve

- Exposed, quiet diaphragm-type, chrome plated, flushometer with a polished exterior. Complete with chloramine resistant, dual seal diaphragm with a clog resistant by-pass. The valve incorporates a 6VDC motor actuator, a battery powered automatic sensor, high impact resistant polycarbonate housing and chrome plated plastic cover with manual override push button and 10 degree angled sensor, high back pressure vacuum breaker, one piece hex coupling nut, adjustable tailpiece, spud coupling and flange for top spud connection. The AquaFlush® Plus is also furnished with a sweat solder kit, vandal resistant stop cap, and cast wall flange with set screw. Control stop has internal siphon-guard protection. Internal seals are made of chloramine resistant materials.

This space is for Architectural/Engineering Approval

The information contained in this document is subject to change without notice. Please contact Zurn for most up to date information.

ZURN INDUSTRIES, LLC. ♦ COMMERCIAL BRASS OPERATION ♦ 5900 ELWIN BUCHANAN DRIVE ♦ SANFORD NC 27330

Phone: 1-800-997-3876 ♦ Fax: 919-775-3541 ♦ World Wide Web: www.zurn.com

In Canada: ZURN INDUSTRIES LIMITED ♦ 3544 Nashua Drive ♦ Mississauga, Ontario L4V1L2 ♦ Phone: 905-405-8272 Fax: 905-405-1292