

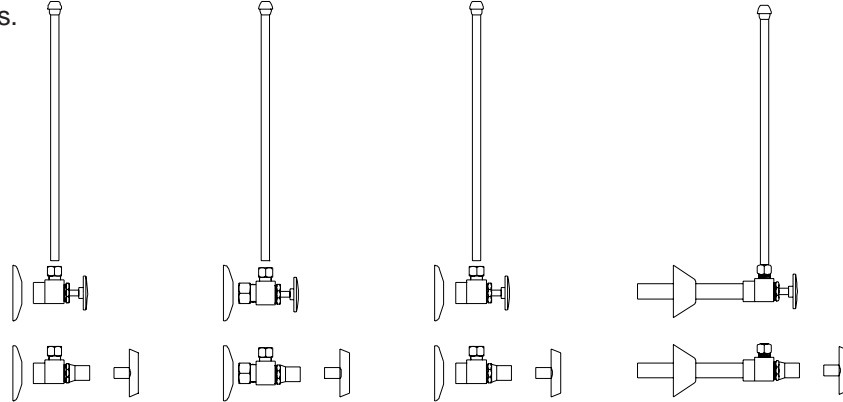


# STANDARD STOP WITH FLEXIBLE LAVATORY SUPPLY

## Z8800LR-PC TO Z8809LRLK-PC

TAG \_\_\_\_\_

**Engineering Specification:** Zurn Z8800LR-PC TO Z8809LRLK-PC Two Zurn chrome plated, solid brass angle stops with round wheel handles or loose key as specified, two 12"[305mm] flexible chrome plated copper lavatory risers complete with two chrome plated steel flanges. Z8808LR-PC and Z8809LR-PC include 5"[127mm] chrome plated copper extension tubes and deep bell steel flanges.



Z8800 THRU Z8803

Z8804 THRU Z8805

Z8806 THRU Z8807

Z8808 THRU Z8809

PRODUCT NUMBER	CONNECTIONS	EXT.	MASTER CARTON	WEIGHT CARTON	
				LR	LRLK
Z-8800LR-PC	3/8 [10] IPS x 3/8 [10] OD	-	25	24	
Z8800LRLK-PC	3/8 [10] IPS x 3/8 [10] OD	-	25		25
Z8801LR-PC	3/8 [10] IPS x 1/2 [13] OD	-	25	24	
Z8801LRLK-PC	3/8 [10] IPS x 1/2 [13] OD	-	25		25
Z8802LR-PC	1/2 [13] IPS x 3/8 [10]OD	-	25	24	
Z8802LRLK-PC	1/2 [13] IPS x 3/8 [10] OD	-	25		25
Z8803LR-PC	1/2 [13] IPS x 1/2 [13] OD	-	25	24	
Z8803LRLK-PC	1/2 [13] IPS x 1/2 [13] OD	-	25		25
Z8804LR-PC	1/2 [13] NOM x 3/8 [10] OD	-	25	24	
Z8804LRLK-PC	1/2 [13] NOM x 3/8 [10] OD	-	25		25
Z8805LR-PC	1/2 [13] NOM x 1/2 [13] OD	-	25	24	
Z8805LRLK-PC	1/2 [13] NOM x 1/2 [13] OD	-	25		25
Z8806LR-PC	1/2 [13] SWT x 3/8 [10] OD	-	25	24	
Z8806LRLK-PC	1/2 [13] SWT x 3/8 [10] OD	-	25		25
Z8807LR-PC	1/2 [13] SWT x 1/2 [13] OD	-	25	24	
Z8807LRLK-PC	1/2 [13] SWT x 1/2 [13] OD	-	25		25
Z8808LR-PC	1/2 [13] SWT x 3/8 [10] OD	5	25	28	
Z8808LRLK-PC	1/2 [13] SWT x 3/8 [10] OD	5	25		33
Z8809LR-PC	1/2[13] SWT x1/2[13] OD	5	25	28	
Z8809LRLK-PC	1/2 [13] SWT x 1/2 [13] OD	5	25		33

### SUFFIXES

- \_\_\_\_\_ - **A** Single supply option
- \_\_\_\_\_ - **C1** Standard Line Lock Shield Cap
- \_\_\_\_\_ - **CE** Chrome Plated, Cast Brass, Flange with setscrew
- \_\_\_\_\_ - **D** Chrome Plated Steel, Deep Bell Flange (Bell Type)
- \_\_\_\_\_ - **WD** Wrought Brass, Deep Flange, (Bell Type)
- \_\_\_\_\_ - **XP** Cross Handle
- \_\_\_\_\_ - **3** 3[76] Nipple
- \_\_\_\_\_ - **5** 5[127] Nipple
- \_\_\_\_\_ - **15** 15[381] Supply Tube
- \_\_\_\_\_ - **20** 20[508] Supply Tube

\*REGULARLY FURNISHED UNLESS OTHERWISE SPECIFIED

ZURN INDUSTRIES, LLC ♦ COMMERCIAL BRASS OPERATION ♦ 2640 SOUTH WORK STREET ♦ FALCONER NY 14733

Phone: 1-800-997-3876 ♦ Fax: 1-919-775-3541 ♦ www.zurn.com

In Canada: ZURN INDUSTRIES LIMITED ♦ 3544 Nashua Drive ♦ Mississauga, Ontario L4V1L2 ♦ Phone: 905/405-8272 Fax: 905/405-1292