



SERVICE SINK FAUCET Z841M1-XL



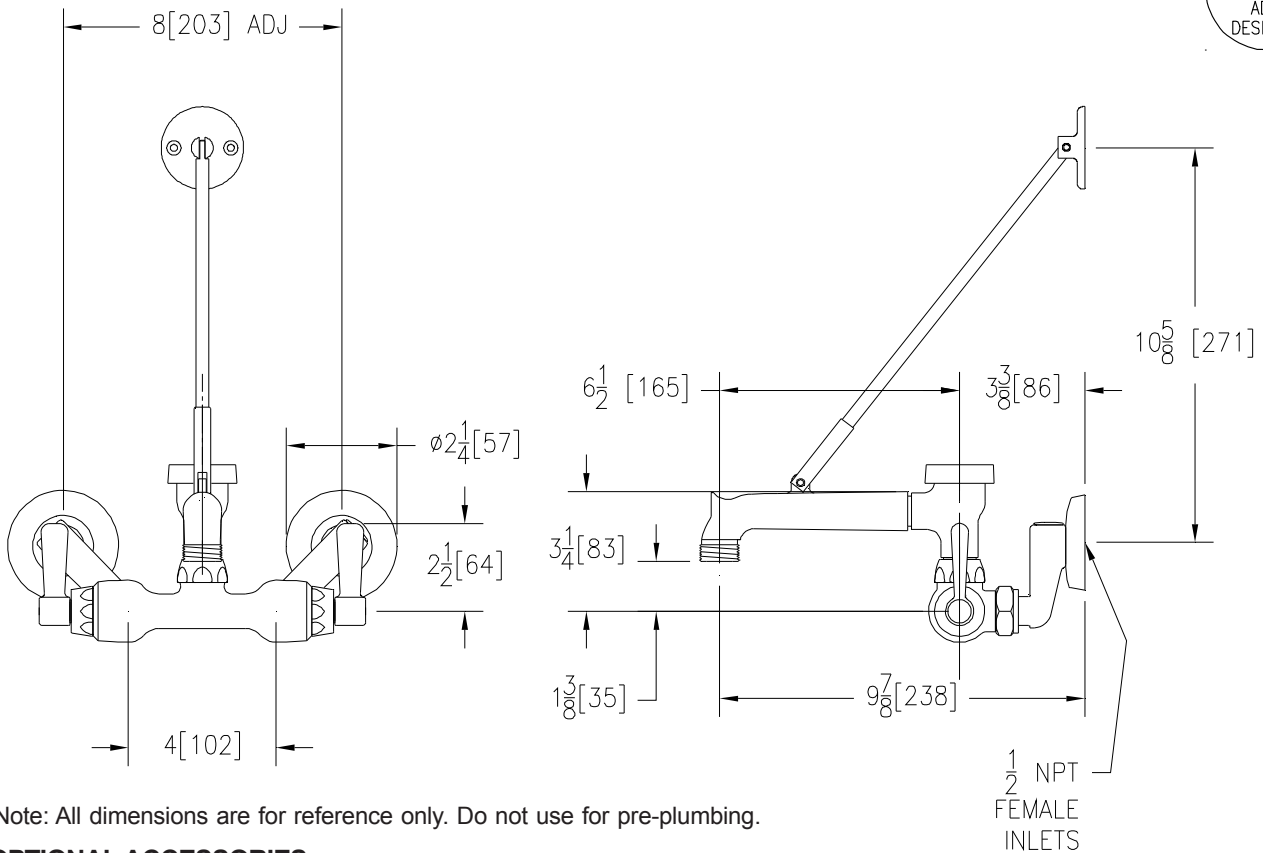
TAG _____



Engineering Specifications: Zurn AquaSpec® Z841M1-XL

Polished chrome-plated cast brass service sink faucet with quarter turn ceramic disc cartridges, 2-1/2" [64mm] long swivel inlets (with integral stops) providing adjustable centers from 4" [102mm] to 8-3/8" [213mm] and a 6" [152mm] centerline cast brass vacuum breaker spout with an integral 3/4" hose threaded outlet, pail hook and wall brace. Unit is provided with 2-1/2" [64mm] vandal-resistant color-coded metal lever handles. (Note: Atmospheric vacuum breaker not intended for continuous pressure applications.)

Zurn Lead Compliant* "XL" products are a line of durable, high quality brass faucets and fixtures that are designed and manufactured to comply with state laws and local codes that mandate lead content levels. Zurn "XL" products are manufactured with *not more than 0.25% lead content when used with respect to wetted surfaces of pipes and pipe fittings, plumbing fitting and fixtures: California Health & Safety Code § 116875; Vermont 9 VCA § 2470h



Note: All dimensions are for reference only. Do not use for pre-plumbing.

OPTIONAL ACCESSORIES

Suffix	Description
— -CS	Check Stop
— -HCT	Hot/Cold Text Indexes
— -SSI	3/8" [10mm] Short Swivel Inlets
— -WHK	Wall Hook
— -5H	5'[152cm] Vinyl Hose

ZURN INDUSTRIES, LLC ♦ COMMERCIAL BRASS OPERATION ♦ 2640 SOUTH WORK STREET ♦ FALCONER NY 14733

Phone: 1-800-997-3876 ♦ Fax: 1-919-775-3541 ♦ www.zurn.com

In Canada: ZURN INDUSTRIES LIMITED ♦ 3544 Nashua Drive ♦ Mississauga, Ontario L4V1L2 ♦ Phone: 905/405-8272 Fax: 905/405-1292