



Z6003

Exposed Flush Valve for Urinals

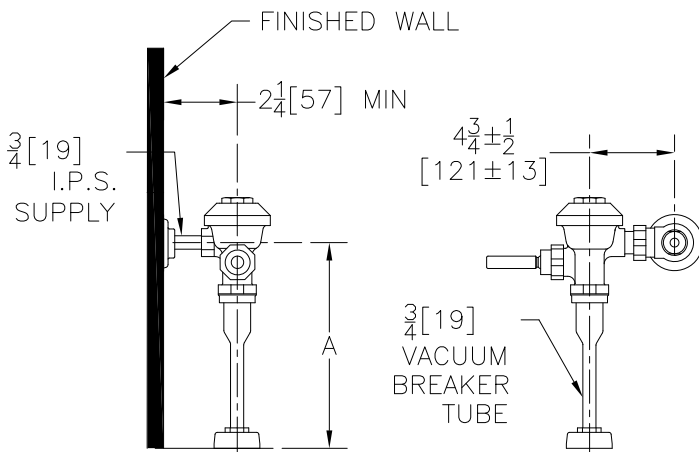
TAG _____

Architectural/Engineering Specification:

Exposed, quiet diaphragm-type, chrome plated flushometer valve with a polished exterior. Complete with a chloramine resistant, dual seal diaphragm with a clog resistant by-pass. The valve is ADA compliant with a non-hold open and no leak handle feature. Internal seals are made of chloramine resistant materials.

Product Features:

- Control Stop has internal siphon-guard protection, sweat solder kit, wall flange with set screw.
- High back pressure vacuum breaker with one piece hex coupling nut
- Chloramine resistant Internal seals
- Adjustable tailpiece
- Spud coupling and flange for top spud connection



Rough-in/Overview dimensions

Valve Height Options:

	Product No.	A
	Z6003	11 1/2" [292]
	Z6003-1	16" [406]
	Z6003-2	24" [610]
	Z6003-3	27" [686]

Compliance and Certification:

- ADA Compliant
- WaterSense Compliant



Flow Options:

	Flush Volume	WaterSense Compliant
-ULF*	0.125 gpf	✓
-EWS*	0.5 gpf	✓
-WS1	1.0 gpf	

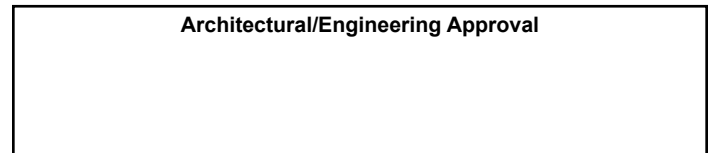
Suffix Options:

- BG BioCare Handle
- L 1" [25] Metal Push Button
- VC Vandal Resistant Stop Cover
- YB Sweat Solder Kit
- YC Cast Wall Flange
- YJ Split Ring Pipe Support
- YK Solid Ring Pipe Support

Upgrade Options:

- PL **Aquaflush Plus** - includes Vandal Resistant Stop Cover and Proprietary Dezincification resistant low lead brass alloy body.
- TFB Triple Filter By-pass

* Not available w/-TFB



The information contained in this document is subject to change without notice. Please contact Zurn for most up to date information.

This product should be used with a WaterSense labeled counterpart with a compatible flow volume to ensure that the entire system meets the requirements for water efficiency and performance.

