



# Z6000

## Exposed Flush Valve for Water Closets

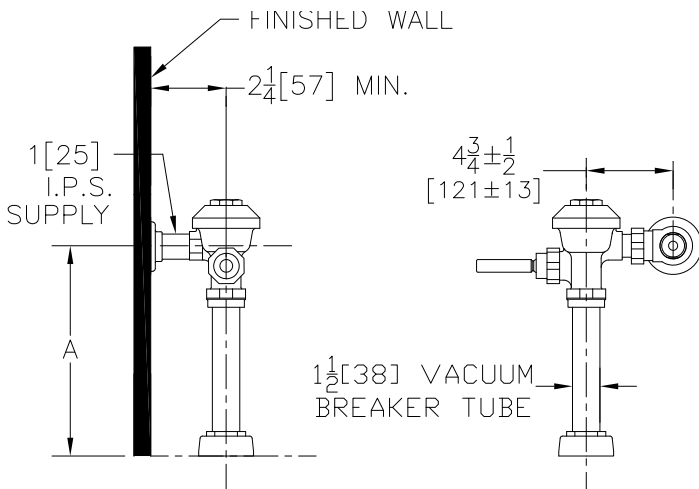
TAG \_\_\_\_\_

### Architectural/Engineering Specification:

Exposed, quiet diaphragm-type, chrome plated flushometer valve with a polished exterior. Complete with a chloramine resistant, dual seal diaphragm with a clog resistant by-pass. The valve is ADA compliant with a non-hold open and no leak handle feature. Internal seals are made of chloramine resistant materials.

### Product Features:

- Control Stop has internal siphon-guard protection, sweat solder kit, wall flange with set screw.
- High back pressure vacuum breaker with one piece hex coupling nut
- Chloramine resistant Internal seals
- Adjustable tailpiece
- Spud coupling and flange for top spud connection



### Flow Options:

	Flush Volume	Dual Flush	WaterSense Compliant
<b>-ONE*</b>	1.1 gpf		✓
<b>-HET*</b>	1.28 gpf		✓
<b>-WS1</b>	1.6 gpf	1.6/1.1 gpf	
<b>-Standard</b>	3.5 gpf	3.5/2.4 gpf	

### Suffix Options:

- BG BioCare Handle
- DF Dual Flush Handle (See Chart Above)
- H Handle on Front of Flush Valve
- L 1" [25] Metal Push Button
- VC Vandal Resistant Stop Cover
- YJ Split Ring Pipe Support
- YK Solid Ring Pipe Support
- YO Bumper on Angle Stop

### Rough-in/Overview dimensions

### Valve Height Options:

Product No.	A
Z6000	11 1/2" [292]
Z6000-1	16" [406]
Z6000-2	24" [610]
Z6000-3	27" [686]

### Compliance and Certification:

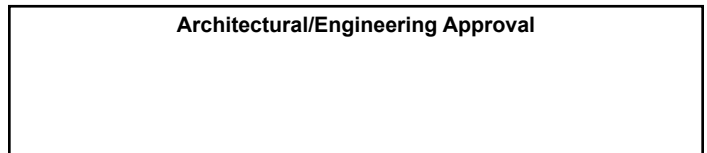
- ADA Compliant
- WaterSense Compliant



### Upgrade Options:

- PL **Aquaflush Plus** - includes Vandal Resistant Stop Cover and Proprietary Dezincification resistant low lead brass alloy body.
- TFB Triple Filter By-pass

\* Not available w/-TFB



The information contained in this document is subject to change without notice. Please contact Zurn for most up to date information.

This product should be used with a WaterSense labeled counterpart with a compatible flow volume to ensure that the entire system meets the requirements for water efficiency and performance.