



# Z5755-U

TAG \_\_\_\_\_

## Omni-Flo™ Top Spud Urinal 0.125 gpf to 1.0 gpf



\*Shown with  
ZTR6203 Flush Valve

### Z5755 SERIES

#### Recommended Trim:

- ZTR6203-ULF-LL\***  
Sensor Long Life Battery Operated Urinal  
Flush Valve. 0.125 gpf[0.5 Lpf]
- ZTR6203-QRT-LL\***  
Sensor Long Life Battery Operated Urinal  
Flush Valve. 0.25 gpf[1.0 Lpf]
- ZTR6203-EWS-LL\***  
Sensor Long Life Battery Operated Urinal  
Flush Valve. 0.5 gpf [1.9 Lpf]
- ZTR6203-WS1-LL**  
Sensor Long Life Battery Operated Urinal  
Flush Valve. 1.0 gpf [3.8 Lpf]



\*This product should be used with a WaterSense labeled counterpart with a compatible flush volume to ensure that the entire system meets the requirements for

*These dimensions and specifications are subject to change without notice.*

*Fixture dimensions meet ANSI/ASME standard A112.19.2 and CAN/CSA B45 requirements.*

*Meets the American Disabilities Guidelines and ANSI A117.1 requirements when urinal is installed 432mm (17") from finished floor.*



ZURN INDUSTRIES, LLC. ♦ COMMERCIAL BRASS OPERATION  
5900 ELWIN BUCHANAN DRIVE ♦ SANFORD NC 27330  
PHONE: 1-800-997-3876 ♦ FAX: 919-775-3541  
WWW.ZURN.COM  
IN CANADA: ZURN INDUSTRIES LIMITED  
7900 GOREWAY DRIVE UNIT 10 ♦ BRAMPTON, ONTARIO L6T5W6  
PHONE: 905-405-8272 FAX: 905-405-1292

#### Z5755 Urinal Series

- Zurn Ultra Low Consumption Urinal designed for optimal performance when paired with Zurn flush valve to save water while exceeding industry performance standards
- Based on flush valve it can flush 0.125 gpf [0.5 Lpf] to 1.0 gpf [3.8 Lpf]
- Vitreous china
- Asymmetric backwall resulting in reduced splash back
- Patent Pending
- High efficiency washdown flushing action
- Oversized footprint to make retrofit easy
- 3/4" top spud
- 2" I.P.S. outlet flange and rubber gasket with integral trap
- 14" extended rim for handicap compliance when installed at proper height
- Vandal resistant outlet strainer included
- Shipping Weight: 60 lbs.

#### Engineering Specification:

- Z5755 EcoVantage® Urinal**  
0.125 gpf [0.5 Lpf] to 1.0 gpf [3.8 Lpf] vitreous china, wall hung, integral trap, washdown urinal complete with 3/4" top spud connection, concealed universal retrofit wall bracket, 2" outlet connection and vandal resistant outlet strainer.

**\*Replaces Zurn Z5750 and Z5798-U**

This space is for Architectural/engineering Approval

See Zurn One Systems for suggested packages.

The information contained in this document is subject to change without notice.  
Please contact Zurn for most up to date information.

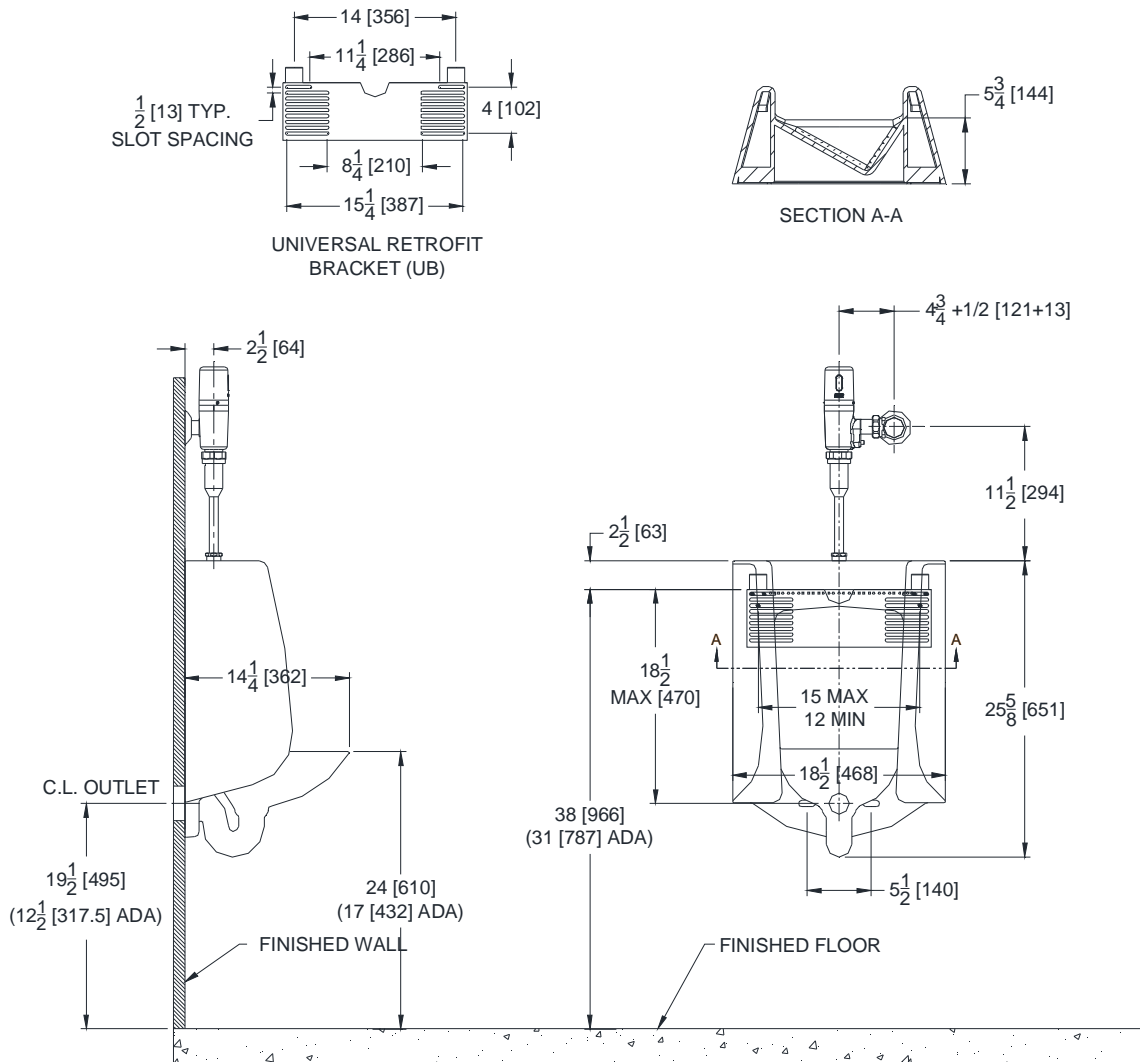


# Z5755-U

TAG \_\_\_\_\_

## Omni-Flo™ Top Spud Urinal 0.125 gpf to 1.0 gpf

Rough-in dimensions for Z5755-U Series



These dimensions and specifications are subject to change without notice.

Fixture dimensions meet ANSI/ASME standard A112.19.2 and CAN/CSA B45 requirements.

Meets the American Disabilities Guidelines and ANSI A117.1 requirements when urinal is installed 432mm (17") from finished floor.



ZURN INDUSTRIES, LLC. ♦ COMMERCIAL BRASS OPERATION  
5900 ELWIN BUCHANAN DRIVE ♦ SANFORD NC 27330  
PHONE: 1-800-997-3876 ♦ FAX: 919-775-3541  
WWW.ZURN.COM

IN CANADA: ZURN INDUSTRIES LIMITED  
7900 GOREWAY DRIVE UNIT 10 ♦ BRAMPTON, ONTARIO L6T5W6  
PHONE: 905-405-8272 FAX: 905-405-1292

EcoVantage® is a registered trademark of Zurn Industries, LLC.

Rev. E  
Dwg. No. 312163

Date: 4/18/2017  
Product No. Z5755-U