



# Z5675-BWL

HET Children's Floor Mounted EcoVantage®  
Flush Valve Toilet

TAG \_\_\_\_\_

### Architectural/Engineering Specification:

Vitreous china, floor mounted, children's toilet with siphon jet flushing action, 10" high elongated front rim, with 1-1/2" top spud. This bowl is designed to perform to industry standards with as little as 1.1 gallons per flush, engineered to provide optimal performance.

### Product Features:

- Zurn High Efficiency Toilets and paired performance flush valve systems are designed to exceed industry standards, while using as little as 1.1 gallons of water per flush.
- Vitreous china
- Elongated front rim
- 2" fully glazed trapway
- High efficiency siphon jet flush action
- Zurn product system component compatibility and quality assurance
- Shipping Weight: 42 lbs

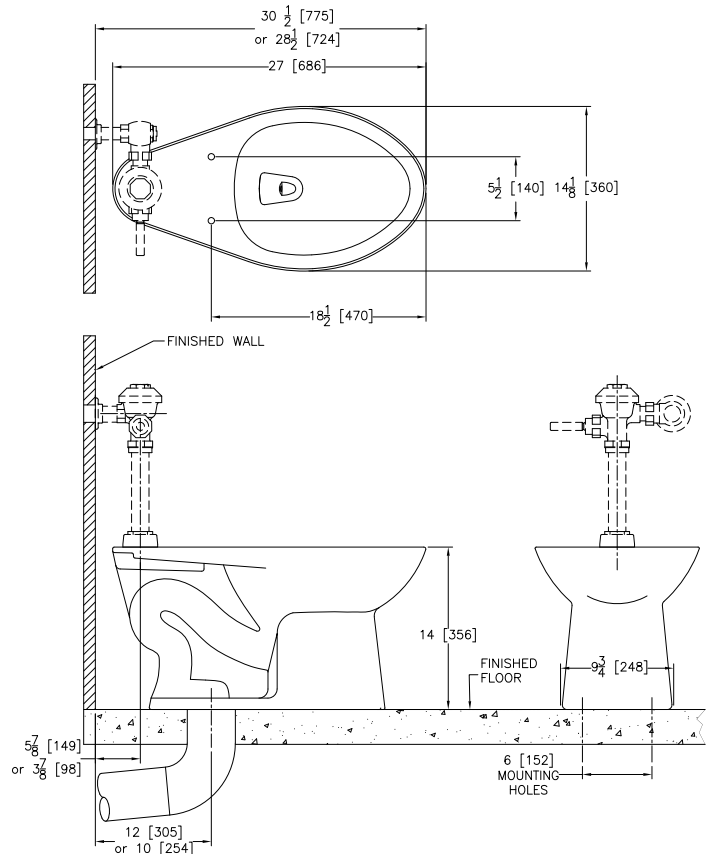
### Recommended Trim:

Z5959SS-JUV

White, open front juvenile toilet seat less cover with stainless steel check hinge.

Z5972-COMB

Closet bolt & wax ring kit.



Rough-in/Overview dimensions: Z5675-BWL with top spud

See Zurn One Systems for suggested packages.

Architectural/Engineering Approval

The information contained in this document is subject to change without notice.  
Please contact Zurn for most up to date information.

Fixture dimensions meet ASME A112.19.2/CSA B45.1 requirements.  
In Canada - Consult local codes and standards.