



Model 625XL

Competitor Replacement PRV with Integral By-pass Check Valve and Strainer

Application

This valve directly replaces a single union competitor model 25AUB. Ideal for use where Lead-Free* valves are required. Designed for installation on potable water lines to reduce high inlet pressure to a lower outlet pressure. The integral strainer makes this device most suitable for residential and commercial water systems requiring frequent cleaning because of sediment and debris. The direct acting integral by-pass design prevents buildup of excessive system pressure caused by thermal expansion. The balanced piston design enables the regulator to react in a smooth and responsive manner to changes in system flow demand, while at the same time, providing protection from inlet pressure changes.

Standards Compliance

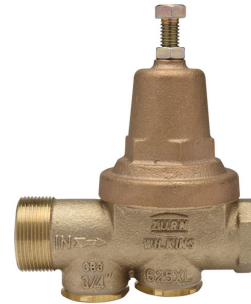
- ASSE® Listed 1003
 - IAPMO® Listed
 - CSA® Certified
 - City of Los Angeles Approved
 - Meets the requirements of NSF/ANSI 61*
- *(0.25% MAX. WEIGHTED AVERAGE LEAD CONTENT)

Materials

Main valve body	Low Lead Cast Bronze	ASTM B 584
Access covers	Low Lead Cast Bronze	ASTM B 584
	Low Lead Brass	
Fasteners	Stainless Steel, 300 Series	
Stem & plunger	Low Lead Cast Bronze	ASTM B 584
	Low Lead Brass	
Elastomers	Buna Nitrile, (FDA Approved)	
	EPDM, (FDA Approved)	
Cap gaskets	Natural Vulcanized Fibre	
	Acetal (Delrin™)	
Strainer screen	Stainless Steel, 300 Series	Strainer
Seat	Stainless Steel, 300 Series	

Features

Sizes:	3/4", 1"
Maximum working water pressure	300 psi
Maximum working water temperature	140°F
Reduced pressure range (standard)	25 psi to 75 psi
Factory preset	50 psi
Hydrostatic test pressure	300 psi



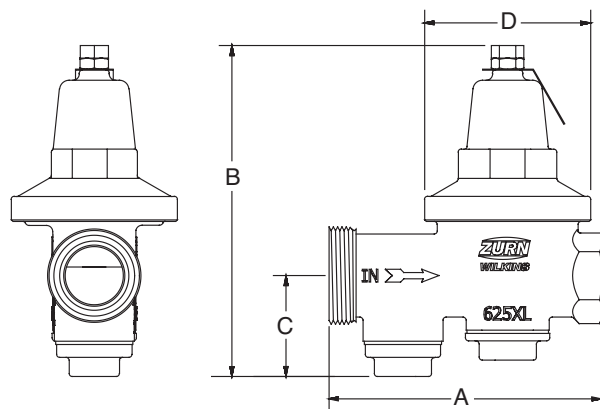
LEAD FREE



Options

(Suffixes can be combined)

- standard with 20 mesh strainer screen, SU, FNPT
- C - copper sweat connection
- HR - 75 psi to 125 psi spring range, factory set at 85 psi
- HLR - 10 psi to 125 psi spring range, factory set at 50 psi
- HTSTSC - 180°F maximum temp, stainless steel trim, spring, sealed cage
- L - less integral by-pass check valve
- SULU - single union connection valve, less union assembly (for replacements where existing union nut and tailpiece will be used)
- LPV - 180°F maximum temp with 10 psi to 35 psi spring range, factory set at 20 psi
- LPC - 140°F maximum temp with 10 psi to 35 psi spring range, factory set at 20 psi (2" field set only)
- SC - sealed cage bell housing and stainless steel adjustment screw
- P - tapped and plugged for gauge
- G - tapped and plugged with gauge
- CH - Chrome stem & plunger

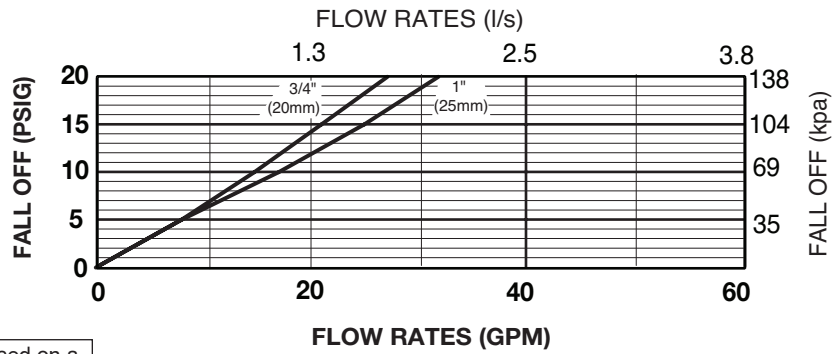


Dimensions & Weights (do not include pkg.)

Model 625XLSULU Shown Above

SIZE		CONNECTIONS	DIMENSIONS (approximate)								WEIGHT	
			A		B		C		D		lbs.	kg.
in.	mm		in.	mm	in.	mm	in.	mm	in.	mm		
3/4	20	SINGLE UNION	5 5/16	135	5 1/2	140	1 1/4	32	2 3/4	70	3	1.5
3/4	20	LESS UNION	4 5/8	117	5 1/2	140	1 1/4	32	2 3/4	70	3	1.5
1	25	SINGLE UNION	6	152	7 1/4	184	2	51	3 3/8	86	5	2.5
1	25	LESS UNION	5 3/16	132	7 1/4	184	2	51	3 3/8	86	5	2.5

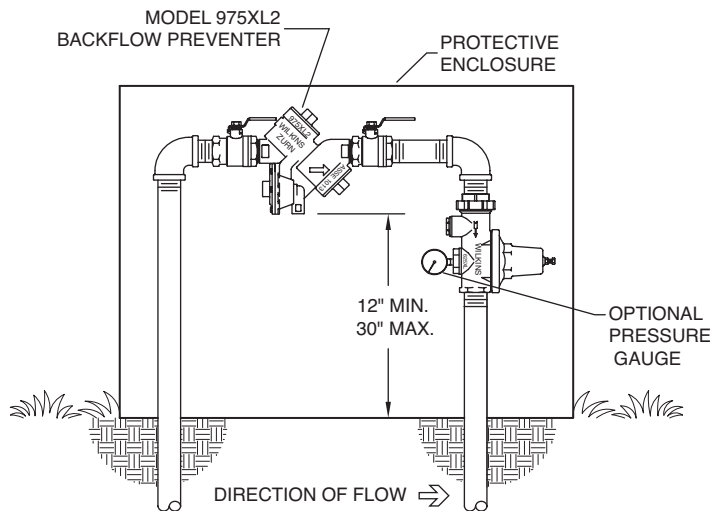
MODEL 625XL 3/4" & 1" (STANDARD & METRIC)



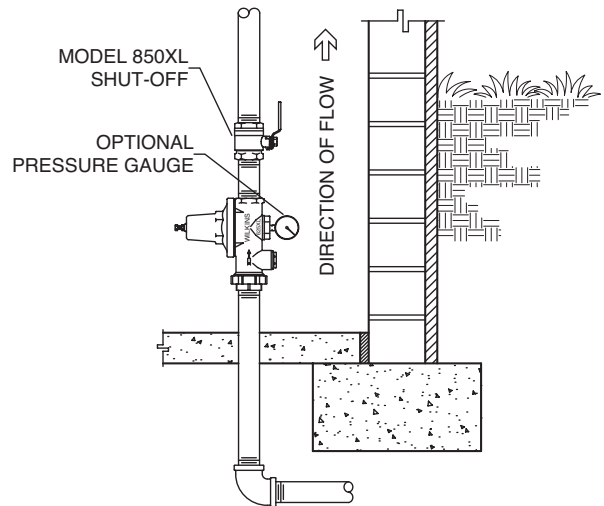
"Flow curves are based on a 50 psi pressure differential"

Typical Installation

Local codes shall govern installation requirements. Unless otherwise specified, the assembly shall be mounted in accordance with the latest edition of the Uniform Plumbing Code. The Model 625XL may be installed in any position. If installed in a pit, vault or inside application, specify the "SC" sealed cage option. Multiple installations are recommend for wide demand variations or where the desired pressure reduction is more than 4 to 1 (i.e.: 200 psi inlet reduced to 50 psi outlet). **CAUTION:** Anytime a reducing valve is adjusted, a pressure gauge must be used downstream to verify correct pressure setting. Do not bottom adjustment bolt on bell housing.



OUTDOOR INSTALLATION



VERTICAL INSTALLATION

Specifications

The Pressure Reducing Valve shall be certified to NSF/ANSI 61, consist of a low lead bronze body and bronze bell housing, shall have separate access covers for the plunger and strainer screen and shall have a bolt to adjust the downstream pressure. The Pressure Reducing Valve shall reduce pressure in both flow and no-flow conditions. The bronze bell housing and access caps shall be threaded to the body and shall not require the use of ferrous screws. The Pressure Reducing Valve shall be a ZURN WILKINS Model 600XL or 625XL.