



Model 500XLFC

Water Pressure Reducing Valve with Flanged Connections

Application

Zurn Wilkins model 500XLFC is designed for installation on potable water lines to reduce high inlet pressure to a lower outlet pressure. The high flow capacity makes this device most suitable for industrial water lines and commercial irrigation systems. The balanced piston design enables the regulator to react in a smooth and responsive manner to changes in system flow demand, while at the same time, providing protection from inlet pressure changes

Approvals

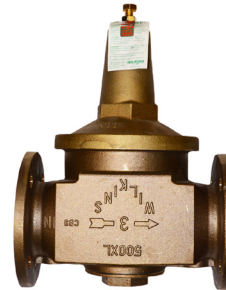
- Meets the requirements of NSF/ANSI/CAN 61

Materials

Body & cover	Low Lead Cast Bronze, ASTM B 806
Bell housing	Cast Bronze, ASTM B 584
Stem & plunger	Low Lead Cast Bronze, ASTM B 806
Internals	Stainless steel, 300 Series
Elastomers	EPDM (FDA approved) Buna Nitrile (FDA approved)
Polymers	Delrin™
Springs	Oil tempered wire, ASTM A229, Epoxy Coated
Cap gasket	Natural Vulcanized Fibre
Seat	Stainless steel, 300 Series

Features

Sizes:	2", 2 1/2", 3"
Maximum working water pressure	300 psi
Maximum working water temperature	140° F
Reduced pressure range (standard)	25 psi to 75 psi
End connections (flanged)	ANSI Class 125



XL LEAD FREE



NSF/ANSI/CAN 61

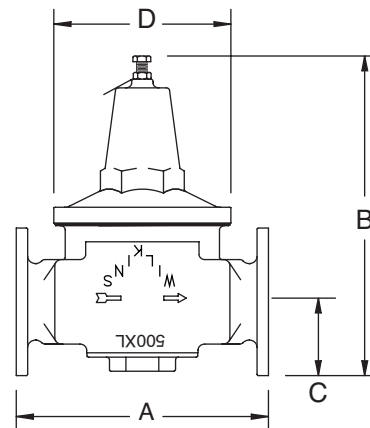
Options

(Suffixes can be combined)

- 510XLFC - 400 psi inlet rating, 75 psi to 125 psi spring range, field set
- FSC - with cast iron "Y" type flanged strainer, fusion epoxy coated, inside and out (2-1/2" & 3" only)
- SC - sealed cage for use in pit or vault
- SW - made for salt water service
- HR - spring range is 75-125 psi, field set
- HLR - spring range is 10-125 psi, field set
- HTSTSC - high temperature application, up to 180° F
- LPV - high temperature application, up to 180° F, spring range is 10-35 psi, factory set at 20 psi
- BP - tapped and plugged for 3/4" bypass connection
- P - tapped and plugged for gauge
- G - tapped and plugged with gauge
- TBP - valve stem features integral thermal by-pass check valve (applies to 3" size only)"

Accessories

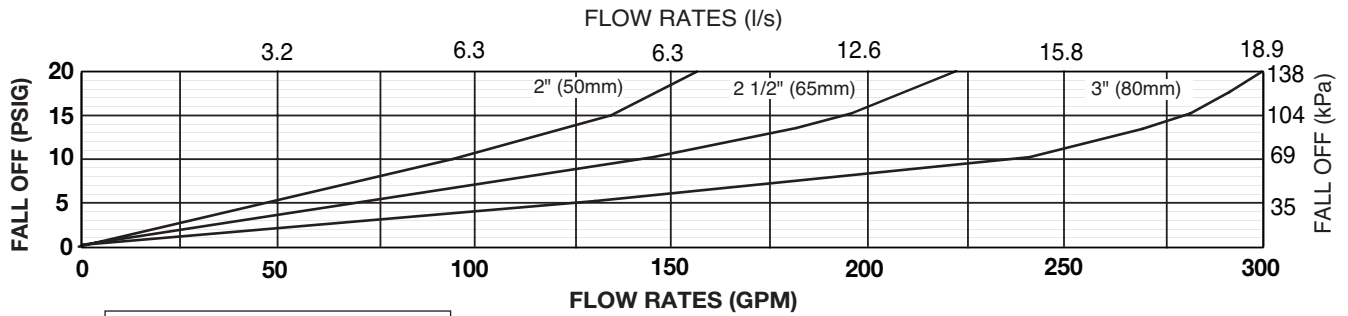
- Repair kit (rubber only)



Dimensions & Weights (do not include pkg.)

SIZE		CONNECTIONS	DIMENSIONS (approximate)								WEIGHT	
			A		B		C		D			
in.	mm		in.	mm	in.	mm	in.	mm	in.	mm	lbs.	kg.
2	50	FLANGED	10 3/8	263	15	381	3	76	6 1/2	165	30	13.5
2 1/2	65	FLANGED	10 3/8	263	15	381	3 1/2	89	8	203	30	13.5
3	80	FLANGED	11	279	17 3/4	451	3 3/4	95	8	203	50	22.5

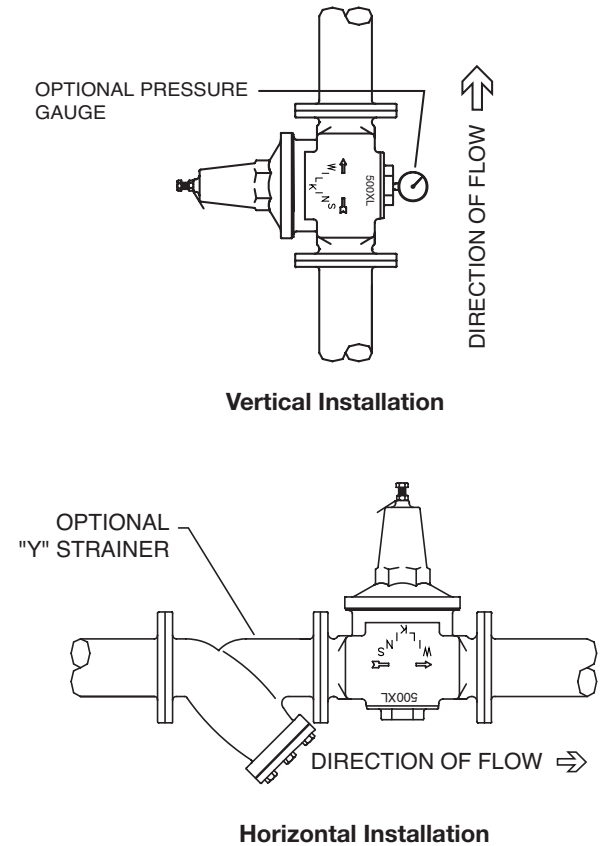
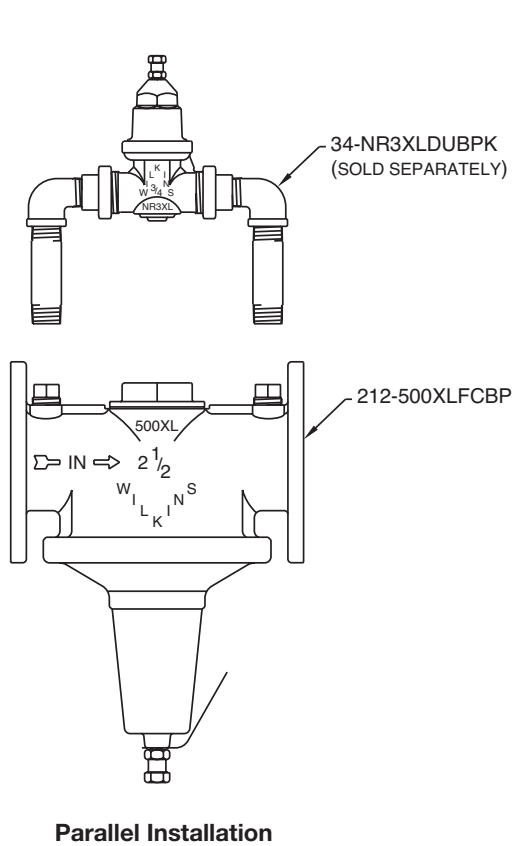
MODEL 500XLFC 2" THRU 3" (STANDARD & METRIC)



"Flow curves are based on a 50 psi pressure differential"

Typical Installation

Local codes shall govern installation requirements. Unless otherwise specified, the assembly shall be mounted in accordance with the manufacturer’s instructions and the latest edition of the Uniform Plumbing Code. The assembly shall be installed with sufficient side clearance for testing and maintenance. The Model 500XLFC may be installed in any position. If installed in a pit or vault, or indoor application, specify the “SC” sealed cage option. Multiple installations are recommended for wide demand variations or where the desired pressure reduction is more than 4 to 1 (i.e.: 200 psi inlet reduced to 50 psi outlet). **CAUTION:** Anytime a reducing valve is adjusted, a pressure gauge must be used downstream to verify correct pressure setting. Do not bottom adjustment bolt on bell housing.



Specifications

The Pressure Reducing Valve shall be certified to NSF/ANSI/CAN 61, consist of a bronze body and bell housing with flanged connections, shall have a separate access cover for the plunger and shall have a bolt to adjust the downstream pressure. The assembly shall be of the balanced piston design and shall reduce pressure in both flow and no-flow conditions. The bronze bell housing and access cap shall be threaded to the body and shall not require the use of ferrous screws. The Pressure Reducing Valve shall be a ZURN WILKINS Model 500XLFC.