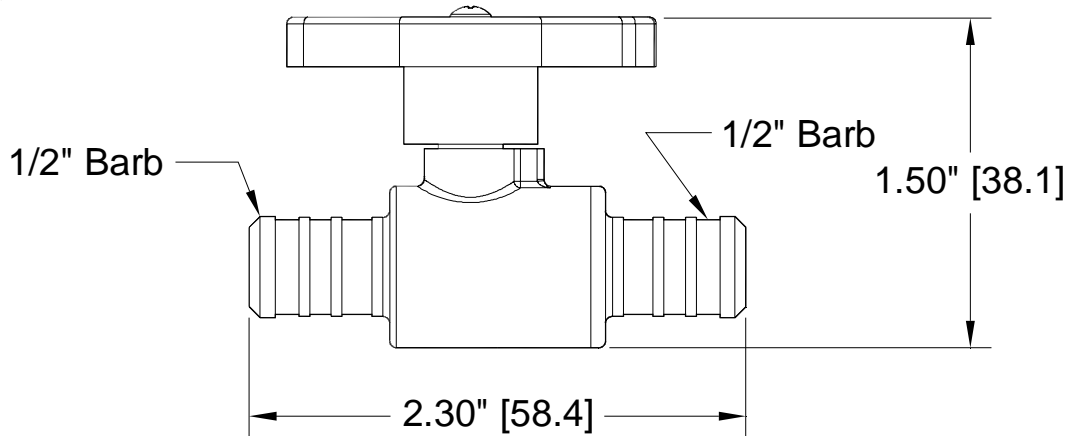




Zurn PEX® XL-Low Lead Brass Quarter-Turn Straight Stop Valve – QQTV477GX Specification Sheet

Tag _____

Dimensional Data: Inches and [mm] are subject to manufacturing tolerances and change without notice.



Engineering Specification: Zurn PEX® XL-Low Lead Brass Quarter-Turn Straight Stop Valve. The QQTV477GX has a 1/2" PEX barb inlet x 1/2" PEX barb outlet. Manufactured from EcoBrass®, C69300. These fittings, as a system with Zurn PEX® tube, are pressure rated at 160 PSI at 73°F, 100 PSI at 180°F, and 80 PSI at 200°F. These fittings are listed as complying with the following standards: NSF/ANSI Standard 61 including Annex G, CSA B137.5, and ASTM F1807.

Accessories

- ___ **QCLP3X** 1/2" QuickClamp® Crimp Ring
- ___ **QCR3X** 1/2" Copper Crimp Ring
- ___ **QSOET3X** 1/2" Stainless Steel Crimp Ring

Rev. A	Date: 2/22/10	C.N. No. 110743
Dwg. No. 84405		Prod. No. QQTV477GX