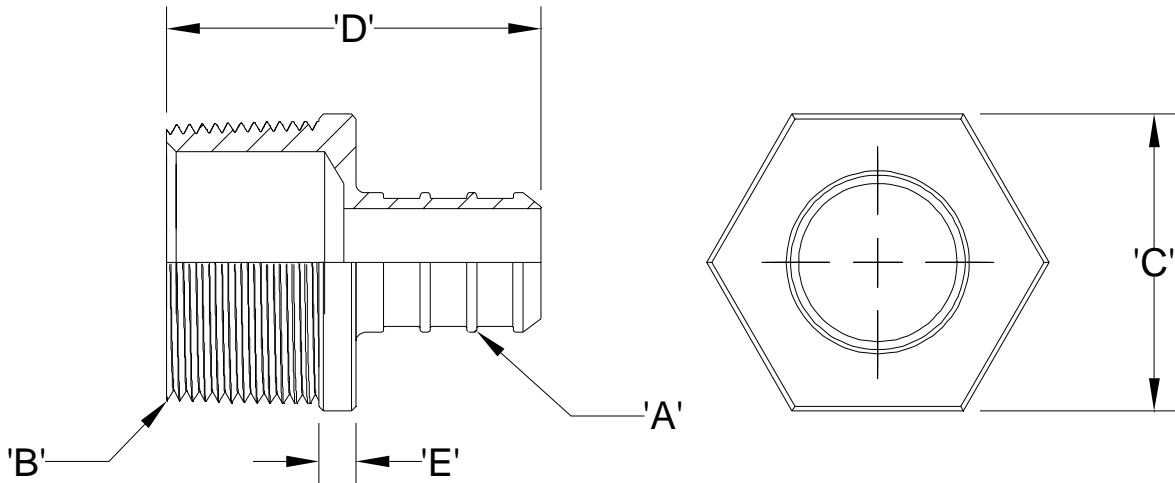




Zurn PEX® XL-Low Lead Brass UL 1821 Listed Barb x MPT Adapter - QQMC55GFX Specification Sheet

Tag _____

Dimensional Data: Inches and [mm] are subject to manufacturing tolerances and change without notice.
Note: Barb geometry will vary depending upon barb size.



Part Number	Description	'A'	'B'	'C'	'D'	'E'
QQMC55GFX	1" Barb x 1" MPT	1" Barb	1" - 11.5 NPT	1.31" [33.3]	1.92" [48.8]	0.38" [9.7]

Engineering Specification: Zurn PEX® XL-Low Lead Brass Barb x MPT Adapter. The QQMC55GFX adapter is used to transition from female pipe thread to PEX tubing. Manufactured from EcoBrass®. These fittings, as a system with Zurn PEX® tube, are pressure rated at 160 PSI at 73°F, 130 PSI at 120°F (fire protection rating), 100 PSI at 180°F, and 80 PSI at 200°F. These fittings are listed by NSF as complying with the following standards: NSF/ANSI Standard 14, NSF/ANSI Standard 61 including Annex G, ASTM F877, CSA B137.5, ASTM F1807, and UL 1821.

Accessories

- ___ **QCLP5X** 1" QuickClamp® Crimp Ring
- ___ **QCR5X** 1" Copper Crimp Ring

Rev.	Date: 2/22/10	C.N. No. 111816
Dwg. No. 302757	Prod. No. QQMC55GFX	