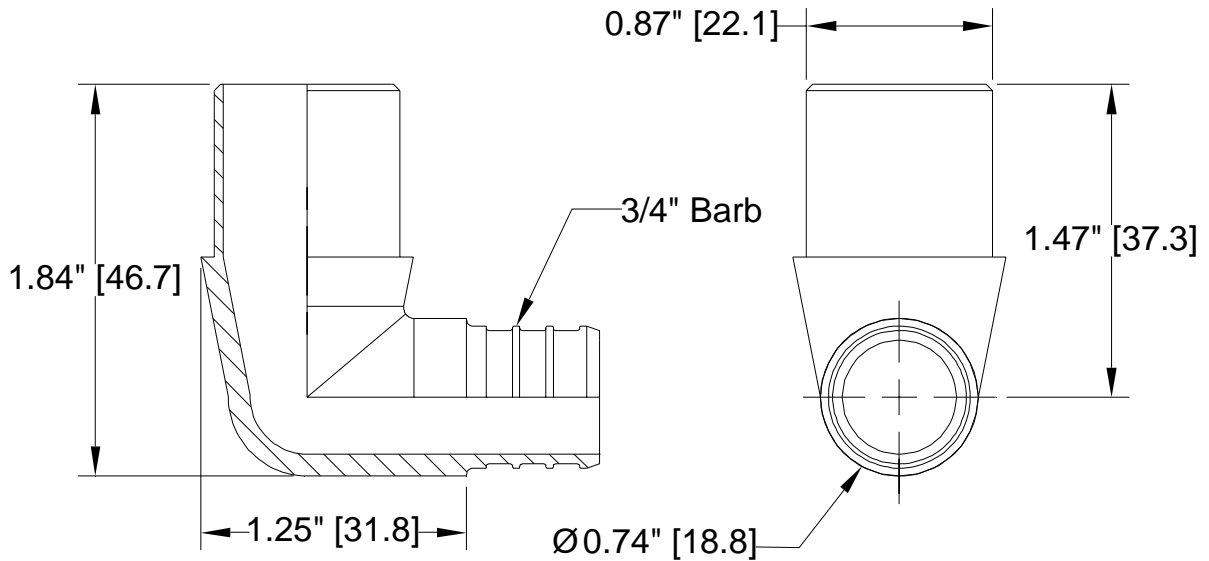




# Zurn PEX® XL-Low Lead Brass Barb x Male Sweat Elbow - QQE675GX Specification Sheet

Tag \_\_\_\_\_

Dimensional Data: Inches and [mm] are subject to manufacturing tolerances and change without notice.



**Engineering Specification:** Zurn PEX® XL-Low Lead Brass Barb x Male Sweat Elbow Adapter. The QQE675GX male elbow is made to fit inside a 3/4" wrought copper fitting and adapt to PEX tubing. Manufactured from EcoBrass®, C69300. These fittings, as a system with Zurn PEX® tube, are pressure rated at 160 PSI at 73°F, 100 PSI at 180°F, and 80 PSI at 200°F. These fittings are listed by NSF as complying with the following standards: NSF/ANSI Standard 14, NSF/ANSI Standard 61 including Annex G, ASTM F877, CSA B137.5, and ASTM F1807.

#### Accessories

- \_\_\_ **QCLP4X** 3/4" QuickClamp® Crimp Ring
- \_\_\_ **QCR4X** 3/4" Copper Crimp Ring
- \_\_\_ **QSOET4X** 3/4" Stainless Steel Crimp Ring

Rev. A	Date: 2/22/10	C.N. No. 110741
Dwg. No. 83882		Prod. No. QQE675GX