



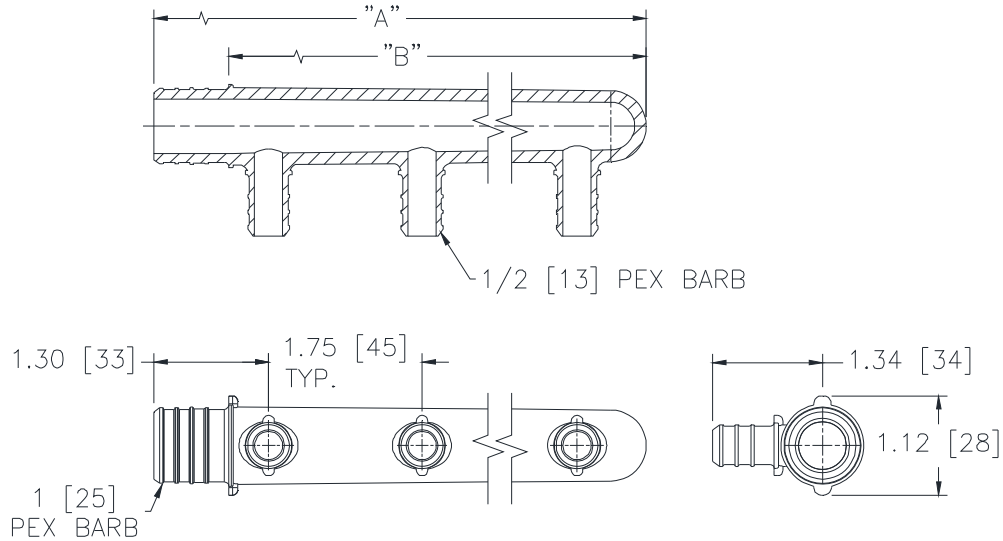
# QPM53

## QickSert CR™ POLYMER MULTI-PORT TEES 1" INLET WITH 1/2" OUTLET PORTS

SPECIFICATION SHEET

TAG \_\_\_\_\_

Dimensional Data (inches and [ mm ]) are Subject to Manufacturing Tolerances and Change Without Notice



\*SHOWN AS QPM53-3

QickSert CR™ Polymer Multi-Port Tees			
Part Number	Description	"A" In [mm]	"B" In [mm]
QPM53-3	(1) 1" PEX Crimp Inlet (closed end) w/ (3) 1/2" PEX Crimp Outlet Ports	5.6 [142]	4.75 [121]
QPM53-4	(1) 1" PEX Crimp Inlet (closed end) w/ (4) 1/2" PEX Crimp Outlet Ports	7.4 [188]	6.55 [166]
QPM53-5	(1) 1" PEX Crimp Inlet (closed end) w/ (5) 1/2" PEX Crimp Outlet Ports	9.1 [231]	8.25 [210]

### ENGINEERING SPECIFICATION: Zurn QPM53

Zurn QickSert CR™ Multi-Port tees. The QPM53- Multi-Port Tee is used to supply different fixtures from the main line. Molded from Acudel®. Multi-Port Tees, as a system with Zurn PEX® tube, are pressure rated at 160 PSI at 73°F, 100 PSI at 180°F, and 80 PSI at 200°F. Multi-Port Tees are listed by NSF as complying with the following standards: NSF/ANSI Standard 14, NSF/ANSI Standard 61, ASTM F877, and CSA B137.5, and ASTM F2159.

### ACCESSORIES

____ QCLP3X	1/2" QICKCLAMP™ CRIMPRING
____ QCLP5X	1" QICKCLAMP™ CRIMPRING
____ QCR3X	1/2" COPPER CRIMP RING
____ QCR5X	1" COPPER CRIMP RING

\* Regularly furnished unless otherwise specified.

Zurn Industries, LLC | Zurn PEX, Inc  
 116 Maple Street, Commerce, TX U.S.A. 75429 · Ph. 800-872-7277, Fax 800-209-2148  
 In Canada | Zurn Industries Limited  
 3544 Nashua Drive, Mississauga, Ontario L4V 1L2 · Ph. 905-405-8272, Fax 905-405-1292  
[www.zurn.com](http://www.zurn.com)

Rev. -  
 Date: 12/17/15  
 C.N. No. 133672  
 Prod. | Dwg. No. QPM53