

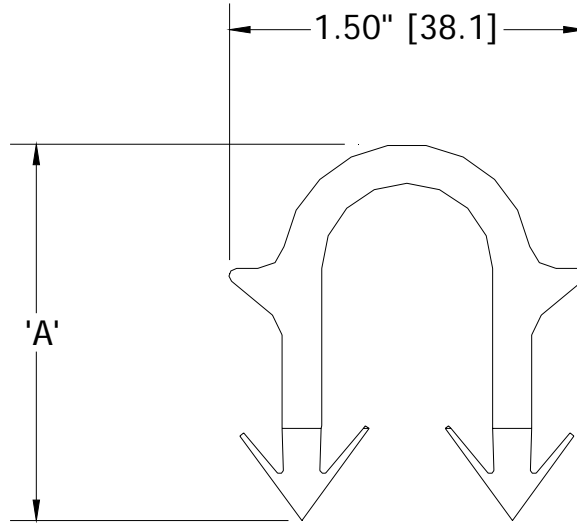


Zurn PEX® Upright Manual Staples - QHUMFS_

Specification Sheet

Tag _____

Dimensional Data: Inches and [mm] are subject to manufacturing tolerances and change without notice.



| Part Number | Description | 'A' |
|-------------|---|--------------|
| QHUMFS1 | Foam Staples for 1" Foam | 1.50" [38.1] |
| QHUMFS2 | Foam Staples for 1-1/2" Foam or Thicker | 2.38" [60.3] |

Engineering Specification: The Zurn PEX® upright manual staples for rigid insulation. The QHUMFS_ is used to quickly affix Zurn PEX tubing to rigid insulation. For use with Zurn PEX Performa tubing in 3/8", 1/2", and 5/8" sizes, and is compatible with upright manual staple gun for rigid insulation.

Accessories

___ QHUMFSG Upright Manual

| | | |
|----------------|-----------------|-------------------|
| Rev. | Date: 7/26/2010 | C.N. No. XXXXX |
| Dwg. No. XXXXX | | Prod. No. QHUMFS_ |