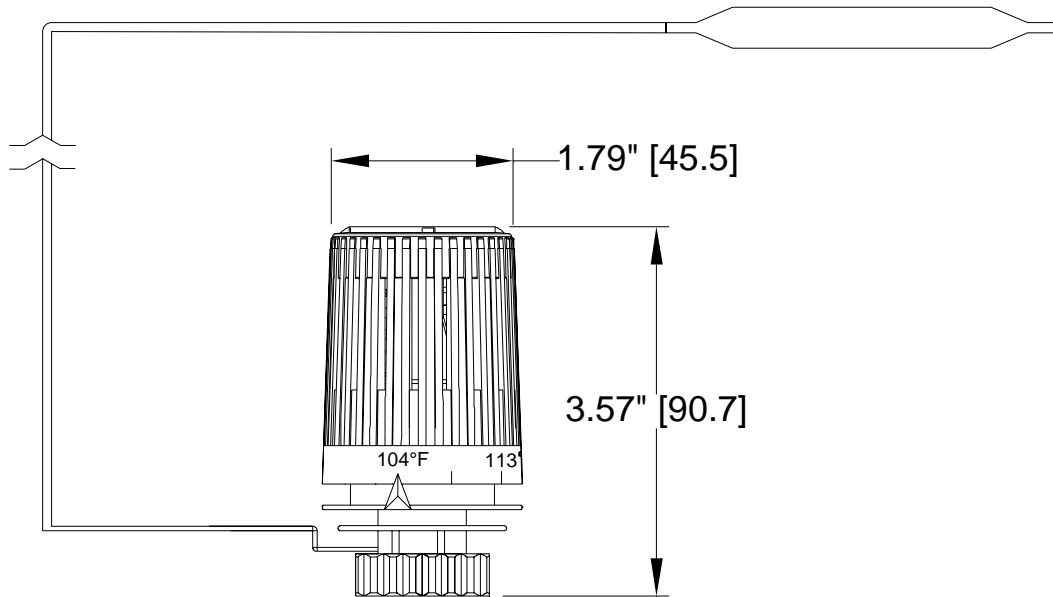




Non-Electric Thermostatic Head w/ Remote Capillary -QHTHH Specification Sheet

Tag _____

Dimensional Data: Inches and [mm] are subject to manufacturing tolerances and change without notice.



Note: Mounting bracket and strap not shown.

Engineering Specification: Zurn PEX Non-Electric Thermostatic Head with Remote (6 feet) Capillary. For adjustable temperature control of zone valve with remote sensing capability. Fluid temperature can be set between 104°F - 158°F (40°C-70°F). Use with injection systems or temperature control valves. The capillary can be installed by either inserting into a well, or by attaching it to a pipe via the supplied mounting bracket and strap.

Accessories

| | |
|-------------|------------------------------|
| ___ QHSZV33 | 1/2" Straight Zone Valve |
| ___ QHSZV44 | 3/4" Straight Zone Valve |
| ___ QHSZV55 | 1" Straight Zone Valve |
| ___ QHSZV66 | 1-1/4" Straight Zone Valve |
| ___ QHAZV33 | 1/2" 90° Straight Zone Valve |
| ___ QHDV5 | 1" 3-Way Diverter Valve |

| | | |
|----------------|-----------------|----------------|
| Rev. | Date: 2/16/2010 | C.N. No.110677 |
| Dwg. No. 84468 | | Prod. No.QHTHH |