

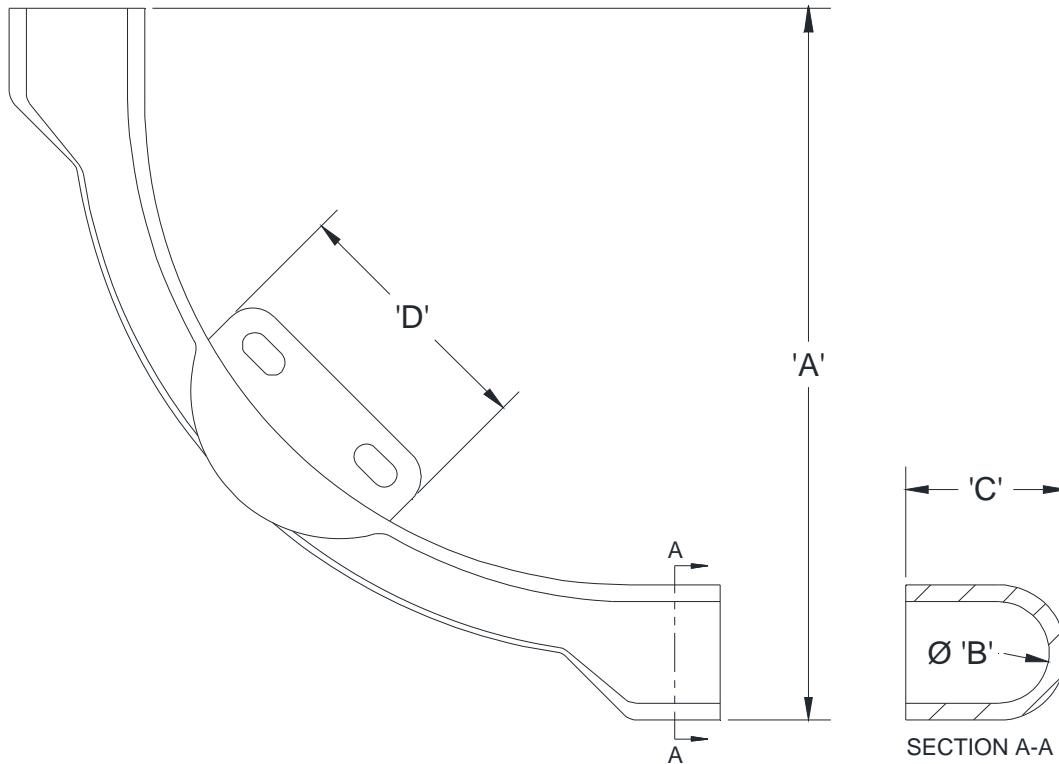


QHPBS_
PLASTIC BEND SUPPORT

SPECIFICATION SHEET

TAG _____

Dimensional Data (inches and [mm]) are Subject to Manufacturing Tolerances and Change Without Notice



Part No.	Description	Dimensions in Inches [mm]			
		'A'	Ø 'B'	'C'	'D'
QHPBS3	1/2" Plastic Bend Support	4-7/16 [113]	5/8 [16]	1-1/16 [26]	1-5/8 [41]
QHPBS4	3/4" Plastic Bend Support	5-15/16 [151]	7/8 [22]	1-1/4 [32]	2-1/2 [66]
QHPBS5	1" Plastic Bend Support	6-13/16 [174]	1-1/8 [29]	1-9/16 [40]	2-1/2 [66]

ENGINEERING SPECIFICATION: QHPBS_

Zurn PEX® Plastic Bend Support enables 1/2", 3/4" and 1" Zurn PEX and hy-PE-RTube tubing to be properly bent and held 90 degrees. The bend support includes an integral mounting bracket for easy attachment to framing. Molded from PA6+ 30% glass fiber.

* Regularly furnished unless otherwise specified.

Zurn Industries, LLC | Zurn PEX, Inc
116 Maple Street, Commerce, TX U.S.A. 75429 · Ph. 800-872-7277, Fax 800-209-2148
In Canada | Zurn Industries Limited
3544 Nashua Drive, Mississauga, Ontario L4V 1L2 · Ph. 905-405-8272, Fax 905-405-1292
www.zurn.com

Rev. -
Date: 12/2/2016
C.N. No. 135382
Prod. | Dwg. No. QHPBS_