

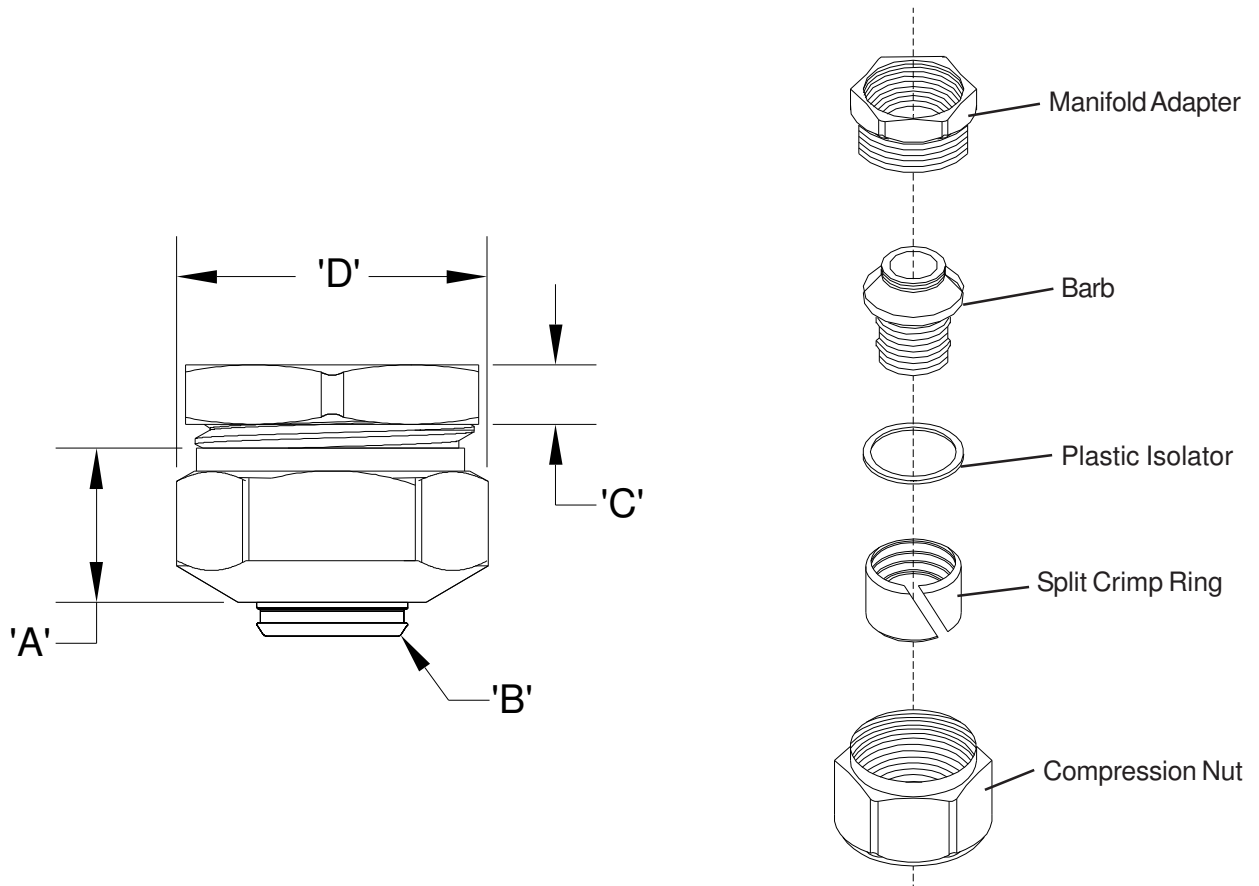


QHPAPMMC_ PEX-AI-PEX Manifold Connector

SPECIFICATION SHEET

TAG _____

Dimensional Data (inches and [mm]) are Subject to Manufacturing Tolerances and Change Without Notice



Product Number	Manifold Connector	'A'	'B'	'C'	'D'
QHPAPMMC2	3/8" PEX-AI-PEX	0.75" [19.1]	3/8" PEX-AI-PEX Barb	0.33" [8.4]	1.14" [29.0]
QHPAPMMC3	1/2" PEX-AI-PEX	0.75" [19.1]	1/2" PEX-AI-PEX Barb	0.33" [8.4]	0.95" [24.1]
QHPAPMMCJ	5/8" PEX-AI-PEX	0.83" [21.1]	5/8" PEX-AI-PEX Barb	0.33" [8.4]	1.14" [29.0]
QHPAPMMC4	3/4" PEX-AI-PEX	0.86" [21.4]	3/4" PEX-AI-PEX Barb	0.33" [8.4]	1.46" [37.1]

ENGINEERING SPECIFICATION: QHPAPMMC_

Zurn radiant heating manifold connector for PEX-AI-PEX tubing. Split ring connector to attach ZurnPex®Almuncor® tubing to the QickZone® or AccuFlow® brass heating manifolds.

Accessories

____ Q_PAPX Zurn Alumicor® Tubing