

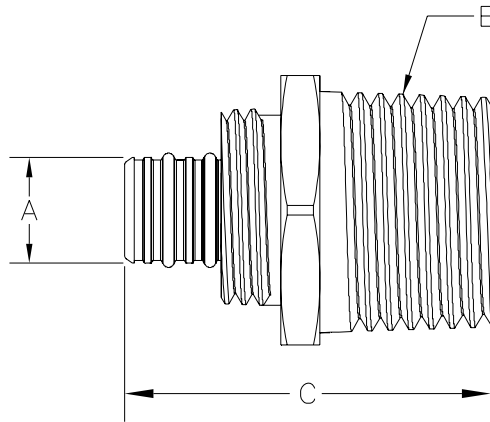


# PEX-AI-PEX x MNPT Brass Adapter - QHPAPMA\_\_C

## Specification Sheet

Tag \_\_\_\_\_

Dimensional Data: Inches and [mm] are subject to manufacturing tolerances and change without notice.



Part Number	Nominal Size	'A' in [mm]	'B' in [mm]	'C' in [mm]
QHPAPMA33C	1/2" Pex-AI-Pex Comp. x 1/2" MNPT	.47 [11.8]	1/2" - 14 NPT	1.58 [40]
QHPAPMA44C	3/4" Pex-AI-Pex Comp. x 3/4" MNPT	.78 [19.8]	3/4" - 14 NPT	1.67 [42.5]

**Engineering Specification:** ZurnPEX® brass PEX-AI-PEX brass male adapter compression fitting. The QHPAPMA\_\_C adapter to transition from female pipe threads to PEX-AI-PEX tubing. Tubing is sealed with the use of two **buna-N** O-rings per barb. For use with PEX-AI-PEX Alumicor® tubing made to ASTM F1281. For use in all radiant heating or snow melting systems.

### Accessories

- \_\_\_ **Q3PAPX** 1/2" Alumicor® PEX-AI-PEX
- \_\_\_ **Q4PAPX** 3/4" Alumicor® PEX-AI-PEX

Rev.	Date: 02/14/08	C.N. No. 98148
Dwg. No. 83665		Prod. No. QHPAPMA__C