

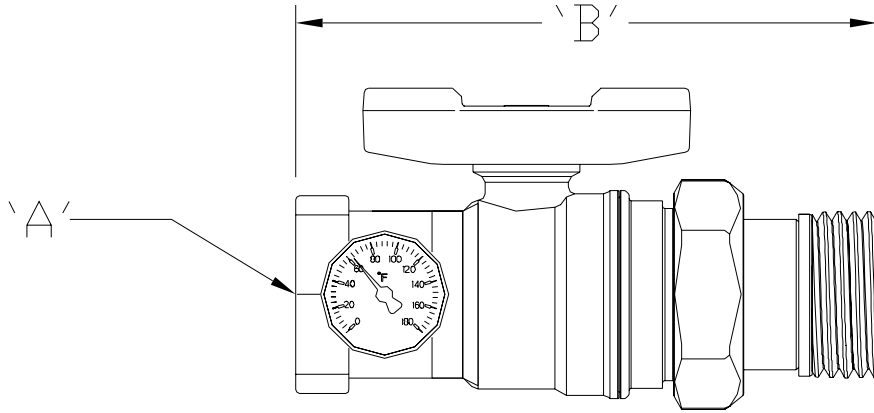


Brass Manifold Ball Valves with Thermometers- QHMBVKIT_

Specification Sheet

Tag _____

Dimensional Data: Inches and [mm] are subject to manufacturing tolerances and change without notice.



Part Number	Description	'A'	'B'	Note
QHMBVKIT5	1" Ball Valve with Thermometer	1"	5"	Use with QHAF
QHMBVKIT6	1-1/4" Ball Valve with Thermometer	1-1/4"	5-1/2"	Use with QHMKIT6

Engineering Specification: Brass Heating Manifold Ball Valves with Thermometers. Rated at a maximum working pressure of 150 PSI, and a maximum working temperature of 230°F. Supply valves shall have a red handle and return valves shall have a blue handle. A thermometer shall be included in each valve.

Accessories

- ___ QHAF-2 2 Port 1" AccuFlow® Manifold with Bracket(s)
- ___ QHAF-3 3 Port 1" AccuFlow® Manifold with Bracket(s)
- ___ QHAF-4 4 Port 1" AccuFlow® Manifold with Bracket(s)
- ___ QHAF-5 5 Port 1" AccuFlow® Manifold with Bracket(s)
- ___ QHAF-6 6 Port 1" AccuFlow® Manifold with Bracket(s)
- ___ QHAF-7 7 Port 1" AccuFlow® Manifold with Bracket(s)
- ___ QHAF-8 8 Port 1" AccuFlow® Manifold with Bracket(s)
- ___ QHAF-9 9 Port 1" AccuFlow® Manifold with Bracket(s)
- ___ QHAF-10 10 Port 1" AccuFlow® Manifold with Bracket(s)
- ___ QHAF-11 11 Port 1" AccuFlow® Manifold with Bracket(s)
- ___ QHAF-12 12 Port 1" AccuFlow® Manifold with Bracket(s)
- ___ QHMKIT6 1-1/4" QickZone® Manifold Kit

Rev. A	Date: 05/18/09	C.N. No. 120003
Dwg. No. 83608	Prod. No. QHMBVKIT_	