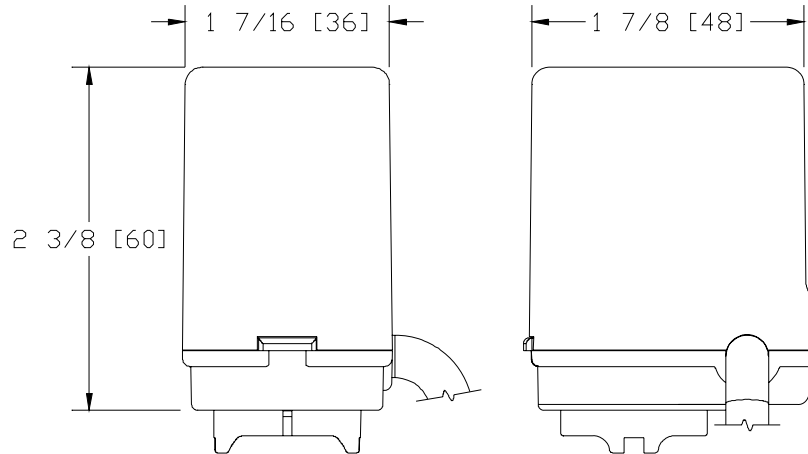




# 4 Wire Zone Valve Actuator – QHMBMVDS Specification Sheet

Tag \_\_\_\_\_

Dimensional Data: Inches and [mm] are subject to manufacturing tolerances and change without notice.



**Engineering Specifications:** Zurn 4 Wire Zone Valve Actuator allowing for individual zone control of QickZone® and AccuFlow® Heating Manifold. Unit operates on 24V AC, 3W. End switch is rated at 1.5A. Complete with pop up operating indicator, integral end switch, and snap on/off manifold attachment. Unit operates up to a maximum ambient air temperature of 122° F (50°C).

#### Accessories

- \_\_\_ QHMZ4A 4-Zone Valve Control (Expandable)
- \_\_\_ QHMZ6A 6-Zone Valve Control (Expandable)

Rev. C	Date: 11/04/08	C.N. No. 99309
Dwg. No. 66354	Prod. No. QHMBMVDS	