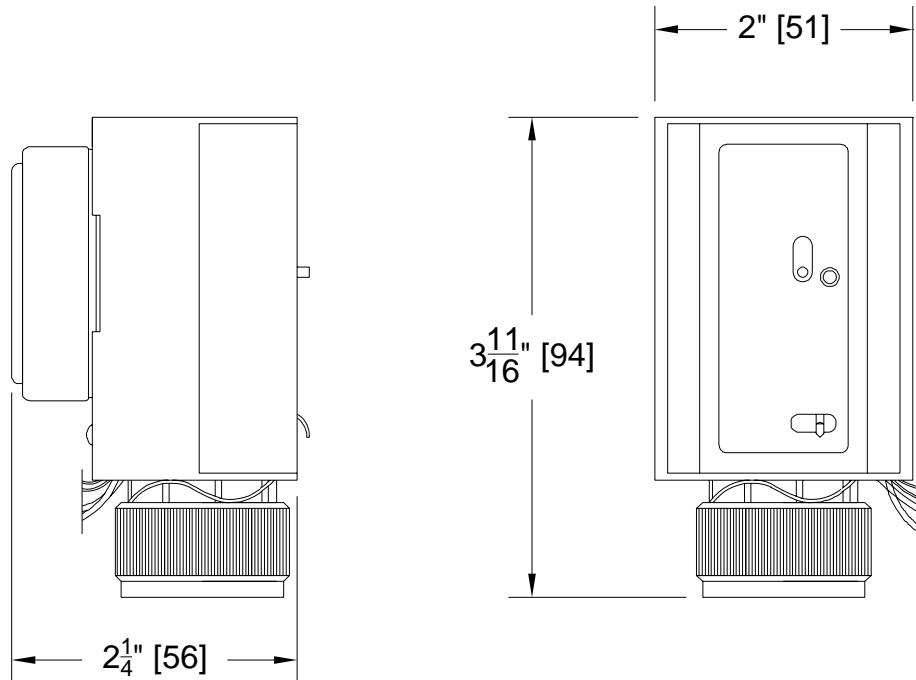




Four Wire Zone Valve Motor – QHBMO Specification Sheet

Tag _____

Dimensional Data: Inches and [mm] are subject to manufacturing tolerances and change without notice.



Engineering Specification: Zurn four wire zone valve motor. Zone valve motor is a fast acting (10 seconds to open) motorized zone valve actuator. Up to eight valves per 40VA transformer.

Accessories

- ___ QHSZV-___ Straight Zone Valves
- ___ QHAZV33 1/2" 90° Zone Valve
- ___ QHDV5 Three Way Diverter

Rev.	Date: 06/3/08	C.N. No. 98583
Dwg. No. 83791		Prod. No. QHBMO