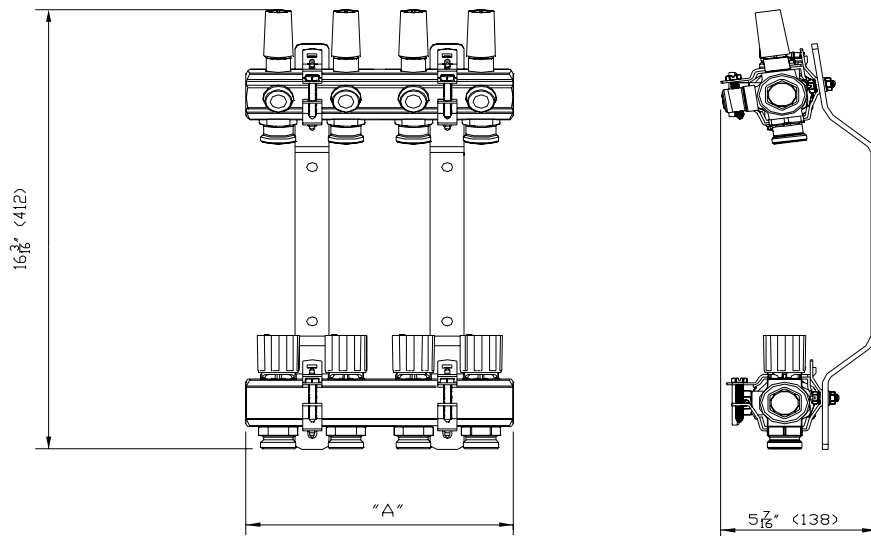




# 1" AccuFlow<sup>®</sup> Manifold with Bracket(s) – QHAF- Specification Sheet Tag \_\_\_\_\_

Dimensional Data: Inches and [mm] are subject to manufacturing tolerances and change without notice.



Number of Loops	Description	'A'
2	2 Port Manifold, Supply and Return Header mounted to adjustable bracket	3-7/8" [98]
3	3 Port Manifold, Supply and Return Header mounted to adjustable bracket	5-7/8" [149]
4	4 Port Manifold, Supply and Return Header mounted to adjustable bracket	7-7/8" [200]
5	5 Port Manifold, Supply and Return Header mounted to adjustable bracket	9-7/8" [251]
6	6 Port Manifold, Supply and Return Header mounted to adjustable bracket	11-7/8" [302]
7	7 Port Manifold, Supply and Return Header mounted to adjustable bracket	13-7/8" [352]
8	8 Port Manifold, Supply and Return Header mounted to adjustable bracket	15-7/8" [403]
9	9 Port Manifold, Supply and Return Header mounted to adjustable bracket	17-7/8" [454]
10	10 Port Manifold, Supply and Return Header mounted to adjustable bracket	19-7/8" [505]
11	11 Port Manifold, Supply and Return Header mounted to adjustable bracket	21-7/8" [556]
12	12 Port Manifold, Supply and Return Header mounted to adjustable bracket	23-7/8" [606]

**Engineering Specification:** Zurn 1" AccuFlow<sup>®</sup> Manifold with Bracket(s). Manifold is supplied with 2-12 loops. System is rated for 150 PSI at a maximum working temperature of 230°F. Each supply circuit shall have an integral flow meter, circuit balancing valve, and positive shut off valve. Flow meters shall have the ability to be adjusted from .132 to 1.32 GPM. Each return circuit shall come supplied with a manual stop, and have mounting capabilities for a zone actuator capable of individual loop control. Supply and Return headers able to connect with 3/8", 1/2", 5/8" or 3/4" Zurn PEX or Alumicor<sup>®</sup> tubing. Complete with supply header, return header, and adjustable mounting bracket(s).

#### Accessories

- \_\_\_ QHMPK-L Low Head Pump Kit
- \_\_\_ QHMPK-M Medium Head Pump Kit
- \_\_\_ QHMPK-H High Head Pump Kit
- \_\_\_ QHMTCK Thermostatic Control Kit
- \_\_\_ QHMBPK Pressure By-Pass Kit
- \_\_\_ QHMBVKIT5 1" Ball Valves w/Thermometers (Pair)
- \_\_\_ QHMAVKIT5 1" Manual Air Vent Kit
- \_\_\_ QHMAAVKIT5 1" Automatic Air Vent Kit
- \_\_\_ QHMEP5 1" Manifold End Plug
- \_\_\_ QHMMC2 3/8" PEX Manifold Connection Fitting
- \_\_\_ QHMMC3 1/2" PEX Manifold Connection Fitting
- \_\_\_ QHMMCJ 5/8" PEX Manifold Connection Fitting
- \_\_\_ QHMMC4 3/4" PEX Manifold Connection Fitting
- \_\_\_ QHMMCP Manifold Connection Cap
- \_\_\_ QHMBMVDS Zone Valve Actuator with End Switch
- \_\_\_ QHPAPMMC2 3/8" Alumicor<sup>®</sup> Manifold Connection Fitting
- \_\_\_ QHPAPMMC3 1/2" Alumicor<sup>®</sup> Manifold Connection Fitting
- \_\_\_ QHPAPMMCJ 5/8" Alumicor<sup>®</sup> Manifold Connection Fitting
- \_\_\_ QHPAPMMC4 3/4" Alumicor<sup>®</sup> Manifold Connection Fitting

Rev. B	Date: 5/5/09	C.N. No.99962
Dwg. No. 84193		Prod. No. QHAF- _____