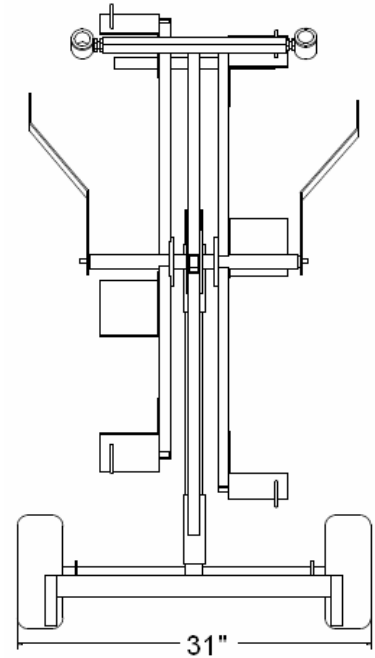
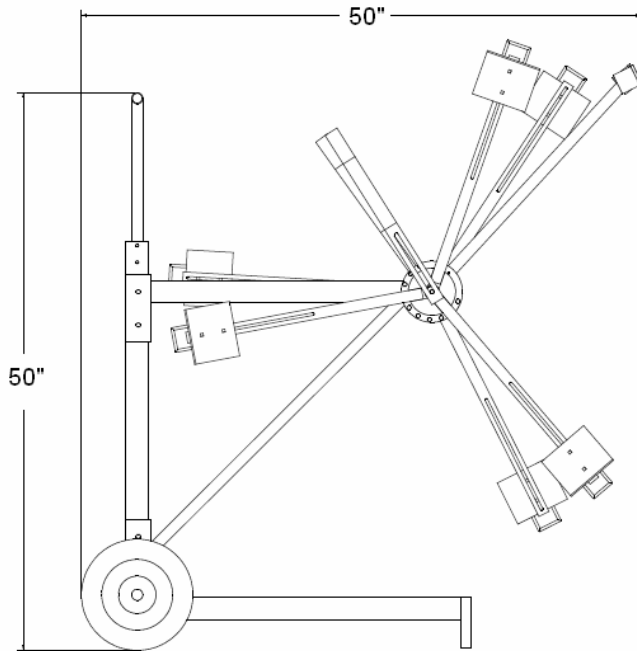




Dual Tubing Uncoiler – QDISP Specification Sheet

Tag _____

Dimensional Data: Inches and [mm] are subject to manufacturing tolerances and change without notice.



Engineering Specification: Zurn QDISP Tubing Uncoiler. Holds and dispenses two Zurn PEX® coils. Use with stretch wrapped or tapped coils. Adjustable discharge arm.

Accessories

___ Zurn PEX® Tubing

Rev.	Date: 10/17/08	C.N. No. 99214
Dwg. No. 83960		Prod. No. QDISP