

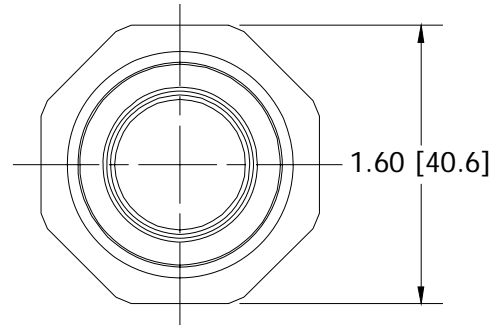
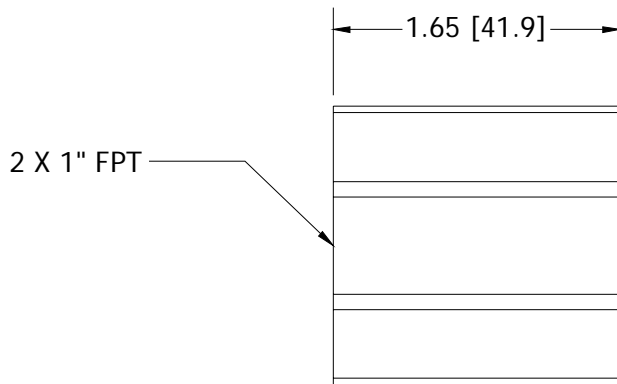


# Zurn PEX® 1" Plastic Manifold Coupling - QC55FQP

## Specification Sheet

Tag \_\_\_\_\_

Dimensional Data: Inches and [mm] are subject to manufacturing tolerances and change without notice.



**Engineering Specification:** The Zurn PEX® Plastic Manifold 1" x 1" Coupling. Made from Acetal. The QC55FQP is used to link components together to expand QickPort® manifolds. Meets requirements of NSF-61.

### Accessories

- \_\_\_ **QT553TQP** 1" x 1" x 1/2" Plastic Manifold Tee
- \_\_\_ **QT555TQP** 1" x 1" x 1" Plastic Manifold Tee
- \_\_\_ **QE53TQP** 1" x 1/2" Plastic Manifold Elbow
- \_\_\_ **QE54TQP** 1" x 3/4" Plastic Manifold Elbow
- \_\_\_ **QE55TQP** 1" x 1" Plastic Manifold Elbow

Rev.	Date: 6/16/2010	C.N. No. XXXXX
Dwg. No. XXXXX		Prod. No. QC55FQP