



# Model BVMS

## Ball Valve Monitor Switch

### Application

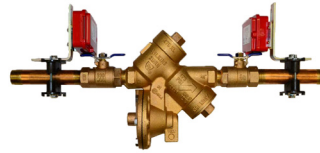
The Model BVMS is designed to monitor the fully open position of a ball valve installed in a sprinkler system. The BVMS will mount onto Zurn Wilkins 950XL, 950XLT, 950XLT2, 975XL and 975XL2 Backflow Preventers. The Model BVMS has an internal switch, which is toggled when the ball valve is moved from the open position. The internal switch however, does not track the position of the handle or ball. When the ball valve lever handle is moved into the open position, an internal spring-loaded switch contacts the lever handle and is toggled into the secure position. When the handle is moved from the open position, the switch extends and is toggled into the tripped position. The switch has contacts for both normally open and normally closed operation.

### Approvals

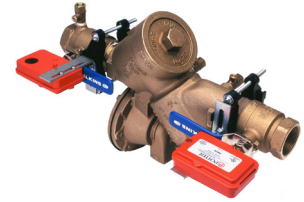
- UL® Classified
- C-UL® Classified
- FM® Approved

### Materials

Enclosure Non-corrosive composite material



BVMS-S40

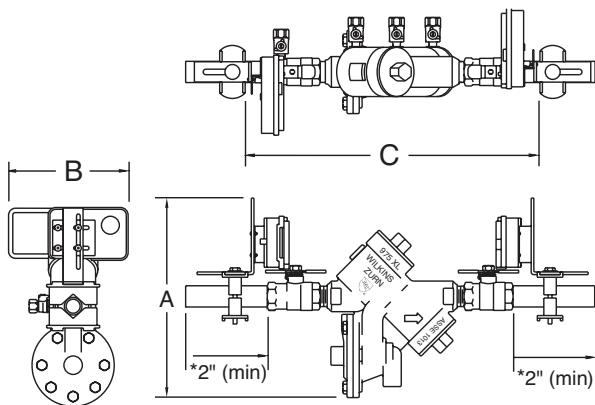


BVMS-L40

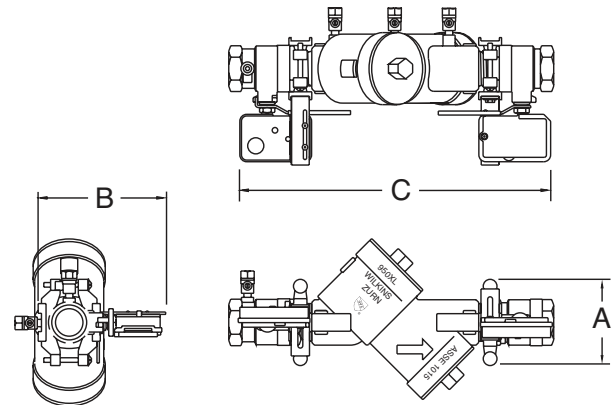
### Features

- Model BVMS-S40 for use with Zurn Wilkins 950XL, 950XLT, 950XLT2, 975XL and 975XL2 Backflow Preventers in sizes 3/4" & 1"
- Model BVMS-L40 for use with Zurn Wilkins 950XL, 950XLT, 950XLT2, 975XL and 975XL2 Backflow Preventers in sizes 1 1/4" to 2"
- Maximum Temperature 150°F (65°C)
- NEMA 4 rated enclosure when using proper electrical fittings (IP67)
- Contact Ratings:  
 SPDT Contacts: 10A at 125/250VAC  
 2A at 30 VDC
- Complete with mounting hardware
- On backflow installations a switch is required on each ball valve, thus two switches are required

Model BVMS-40



Model BVMS-L40



\* Note: The BVMS-S40 (3/4" and 1" 950XL, 950XLT, 950XLT2, 975XL and 975XL2) requires a minimum of 2" straight pipe on either end to allow the switch to be mounted above the ball valve "T" handles.

### Dimensions & Weights (do not include pkg.)

MODEL	SIZES	FOR MODELS	A		B		C		WEIGHT	
			in.	mm	in.	mm	in.	mm	lbs.	kg
BVMS-S40	3/4" & 1"	950XL, 950XLT, 950XLT2, 975XL & 975XL2	9 7/32	234	6 5/16	160	13 5/8	346	0.7	0.3
BVMS-L40	1 1/4", 1 1/2" & 2"	950XL, 950XLT, 950XLT2, 975XL & 975XL2	4 1/2	114	9 1/2	241	17 1/4	438	0.9	0.4