



Model FEZR

Fire Riser

Application

Zurn Model FEZR in building Fire Risers are vertically mounted assemblies designed to connect a water supply line to a fire suppression system. Each unit consists of a Test and Drain Valve, a Water Flow Detector Switch, and a Pressure Gauge. This provides for the required system flow testing, alarm triggering upon activation of a fire sprinkler, draining of the system, and monitoring of the system water pressure.

Standards Compliance

- UL® Listed
- FM® Approved
- Listed by California State Fire Marshall

Material

Main valve body	Sch 40 A53 Steel Pipe, Epoxy Coated Outside
Test and Drain Valve	UL® Listed, FM® Approved
Water Flow Switch	UL® Listed, FM® Approved, ULC® Listed, FM® Approved
Pressure Gauge	UL® Listed & FM® Approved, 3 1/2" Dia. 0-300PSI
Stainless Steel Case	
Ball Valve	300 PSI, UL® Listed/FM® Approved
Street Elbow	Galvanized



2-FEZR-TD

Features

Sizes: 2", 2-1/2", 3", 4", 6"

End Connections

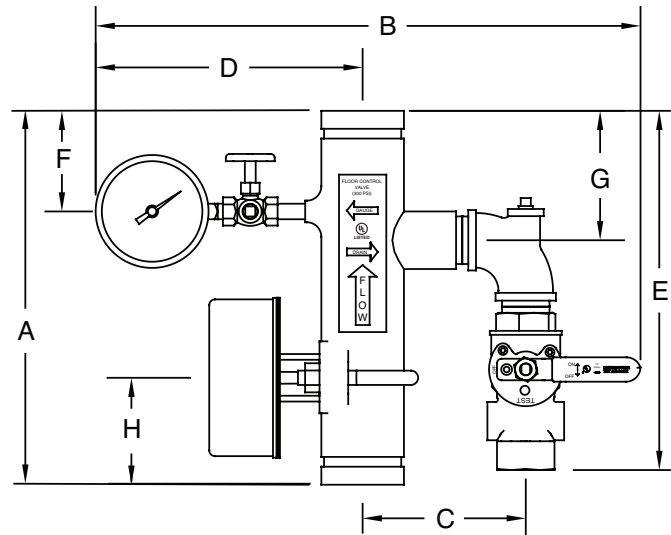
Maximum inlet pressure	300 psi
Inlet connection	Grooved
Outlet connection	Grooved

Test and Drain

Chart

BODY SIZE	2"	2 1/2"	3"	4"	6"
BALL VALVE SIZE	1"	1 1/4"	1 1/4"	2"	2"
TEST & DRAIN SIZE	1"	1 1/4"	1 1/4"	2"	2"
ORIFICE K FACTOR	K5.6	K5.6	K5.6	K5.6	K5.6

Welds are 1/4" filletted, electrostatic powder coated to 2.5 mil



Dimensions & Weights (do not include pkg.)

MODEL	DIMENSIONS (approximate)																			
	A		B (Test & Drain)		C		D		E (Ball Valve)		E (Test & Drain)		F		G		H		WEIGHT	
	in.	mm	in.	mm	in.	mm	in.	mm	in.	mm	in.	mm	in.	mm	in.	mm	in.	mm	lbs	kg
2-FEZR-TD	13	330	20	508	5 1/4	133	9 1/4	235	5 5/8	143	10	254	3 1/2	89	4 1/2	114	3 1/2	89	11	5
2 1/2-FEZR-TD	13	330	20	508	5	127	9 1/2	241	7 1/4	184	10 1/4	260	3 1/2	89	4 1/2	114	3 1/2	89	14	6
3-FEZR-TD	13	330	20	508	5 1/2	140	9 1/2	241	9 7/8	251	12 1/4	311	3 1/2	89	4 1/2	114	3 1/2	89	16	7
4-FEZR-TD	13	330	24 1/2	622	7	178	10 3/8	264	12 1/8	308	14 3/4	375	3 1/2	89	4 1/2	114	3 1/2	89	25.5	12
6-FEZR-TD	13	330	24 1/2	622	8 1/4	210	11	279	13 1/2	343	14 1/2	368	3 1/2	89	4 1/2	114	3 1/2	89	34.5	16

Model FEZR

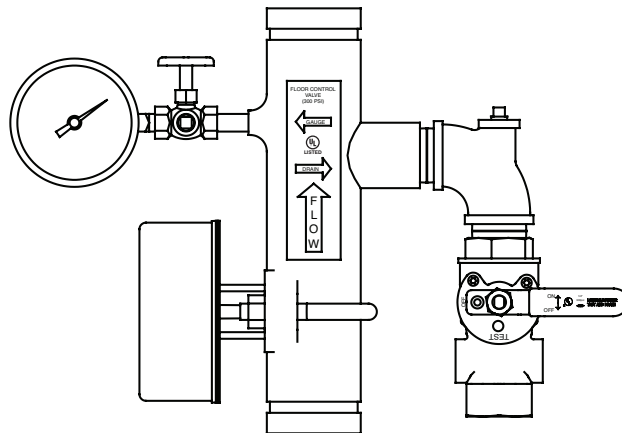
Fire Test and Drain (2", 2-1/2", 3", 4", 6")



Installation Instructions

Installation Instructions

1. Inspect the manifold to make sure all parts are present and nothing has been damaged during shipment.
2. Carefully install the manifold's threaded connections so that the arrow is pointing in the direction of flow which is toward the system side of the installation. Use only non-hardening pipe joint compound or tape.
3. Install the drain line into the ball valve or test and drain depending upon which model you are installing. Make sure that the ball valve or test and drain is in the closed position. Use only non-hardening pipe joint compound or tape.
4. The water flow detector is factory installed, however the attached instructions should be followed for the wiring and operation of this device.
5. The system cannot be tested with the Pressure Relief Valve installed. The optional pressure relief valve should be installed after the completion of system installation and testing.
6. When the system is operational turn on the main valve and inspect for any leaks.



WARRANTY: ZURN WILKINS Valves are guaranteed against defects of material or workmanship when used for the services recommended. If in any recommended service, a defect develops due to material or workmanship, and the device is returned, freight prepaid, to ZURN WILKINS within 12 months from date of purchase, it will be repaired or replaced free of charge. ZURN WILKINS' liability shall be limited to our agreement to repair or replace the valve only.

⚠ WARNING: Cancer and Reproductive Harm - www.P65Warnings.ca.gov
⚠ ADVERTENCIA: Cáncer y daño reproductivo - www.P65Warnings.ca.gov
⚠ AVERTISSEMENT: Cancer et néfastes sur la reproduction - www.P65Warnings.ca.gov