



CO2

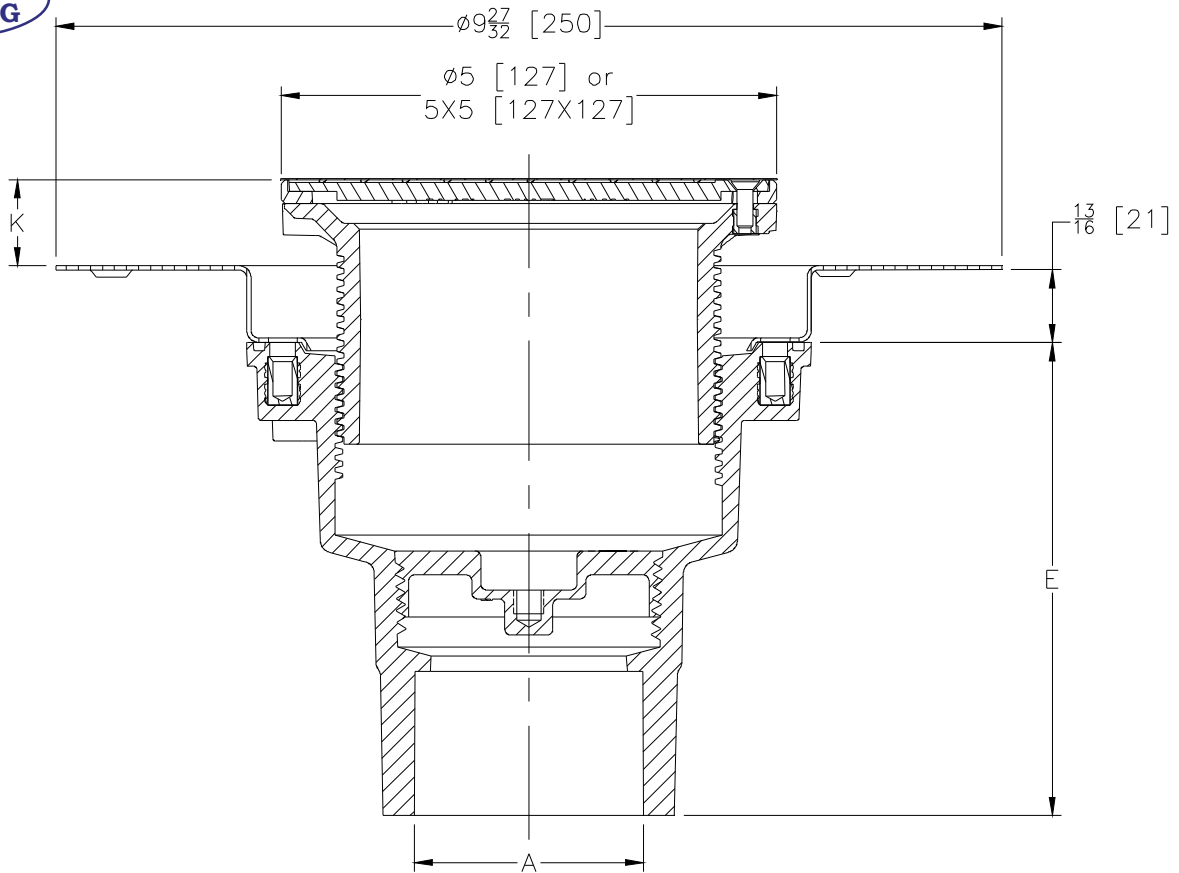
5" Top Assembly Adjustable Floor Cleanout with Deck Plate

SPECIFICATION SHEET

TAG _____

PATENT PENDING

Dimensional Data (inches and [mm]) are Subject to Manufacturing Tolerances and Change Without Notice



Dimensions in Inches [mm]						Approx. Wt. Lbs [kg]	Cover Type
Product Number		A	E	K			
PVC Body	ABS Body	Pipe Size	Body Height	Min	Max		
CO2-PV2	CO2-AB2	2-3 [51-76]	4-15/16 [125]	0	1-7/16 [37]	5 [2]	Nickel Bronze Round
CO2-PV3	CO2-AB3	3-4 [76-102]	3-25/32 [96]	0	1-7/16 [37]	5 [2]	Nickel Bronze Round
CO2-PV2-ST	CO2-AB2-ST	2-3 [51-76]	4-15/16 [125]	7/16 [11]	1-11/16 [43]	6 [3]	Nickel Bronze Square
CO2-PV3-ST	CO2-AB3-ST	3-4 [76-102]	3-25/32 [96]	7/16 [11]	1-11/16 [43]	6 [3]	Nickel Bronze Square
CO2-PV2-SS	CO2-AB2-SS	2-3 [51-76]	4-15/16 [125]	0	1-7/16 [37]	5 [2]	Stainless Steel Round
CO2-PV3-SS	CO2-AB3-SS	3-4 [76-102]	3-25/32 [96]	0	1-7/16 [37]	5 [2]	Stainless Steel Round
CO2-PV2-ST-SS	CO2-AB2-ST-SS	2-3 [51-76]	4-15/16 [125]	7/16 [11]	1-11/16 [43]	6 [3]	Stainless Steel Square
CO2-PV3-ST-SS	CO2-AB3-ST-SS	3-4 [76-102]	3-25/32 [96]	7/16 [11]	1-11/16 [43]	6 [3]	Stainless Steel Square

ENGINEERING SPECIFICATION:

Zurn CO2 Floor Cleanout PVC or ABS solvent weld body with gas and watertight cleanout plug, stainless steel deckplate, and top assembly. CO2 cleanout series is available with a square or round light duty cover in nickel bronze or stainless steel. Cleanout is designed in accordance with ASME A112.36.2M.

SUFFIXES

- ___ -CC Stainless Steel Clamp Collar
- ___ -FI Floor Insert (For Round Top Assembly Only)