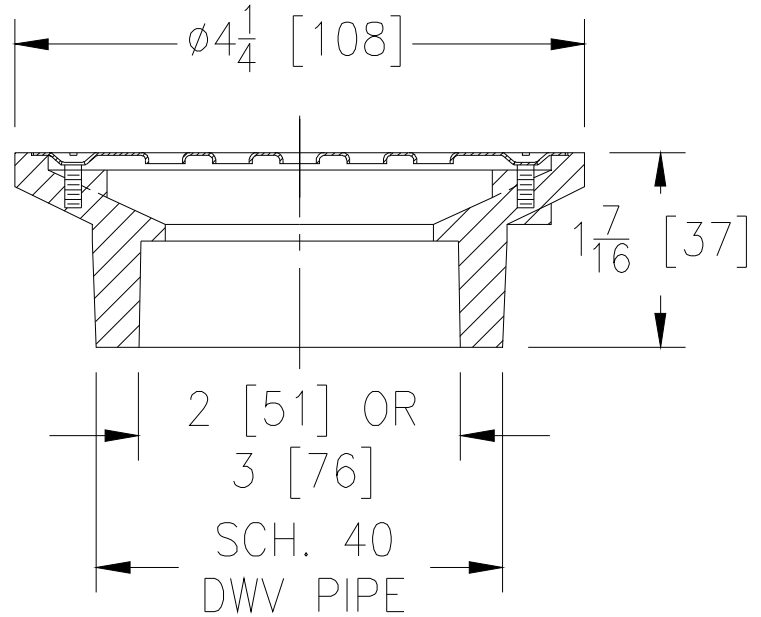


Dimensional Data (inches and [ mm ]) are Subject to Manufacturing Tolerances and Change Without Notice



Product	Outlet Connection	Grate Open Area Sq. In. [cm <sup>2</sup> ]
___ FD2201-PVC	2 [51] x 3 [76] Solvent Weld	3 [19]
___ FD2201-ABS	2 [51] x 3 [76] Solvent Weld	

**FD2201 2 x 3 General Purpose Floor Drain**

Recommended for foot traffic and light carts. Complete with secured stainless steel heel-proof strainer, and heavy-walled PVC or ABS body with brass threaded inserts to accept securing screws. Outlet connection fits over 2 [51] and inside 3 [76] Sch. 40 DWV pipe.

**Options:**

- \_\_\_ **-BN** Bone Enamel Strainer
- \_\_\_ **-PB** Polished Brass Strainer
- \_\_\_ **-VP** Vandal-Proof
- \_\_\_ **-WH** White Enamel Strainer

**Typical installation**

