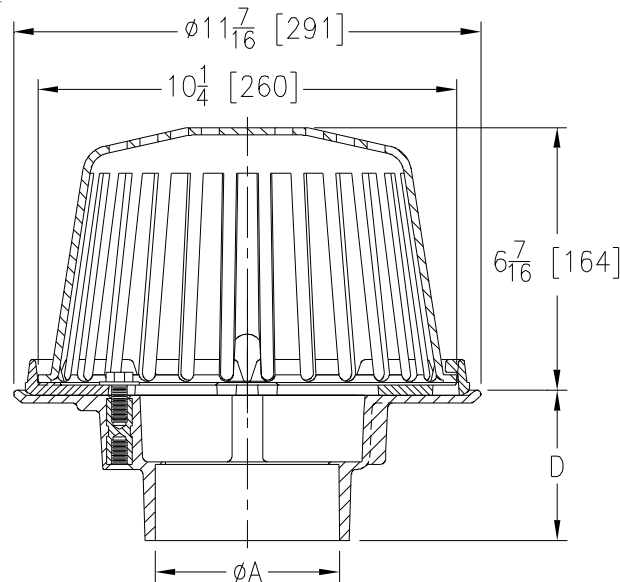


Dimensional Data (inches and [mm]) are Subject to Manufacturing Tolerances and Change Without Notice



Product	'A' Connections	'D'	Dome Open Area Sq. In. [cm ²]
___ RD2120-PV2	2 [51] PVC Hub	2-31/32 [76]	78 [503]
___ RD2120-PV3	3 [76] PVC Hub	3-11/16 [94]	
___ RD2120-PV4	4 [102] PVC Hub	3-13/16 [97]	
___ RD2120-AB2	2 [51] ABS Hub	2-31/32 [76]	
___ RD2120-AB3	3 [76] ABS Hub	3-11/16 [94]	
___ RD2120-AB4	4 [102] ABS Hub	3-13/16 [97]	

RD2120

12 [304] Diameter Main Area Roof Drain

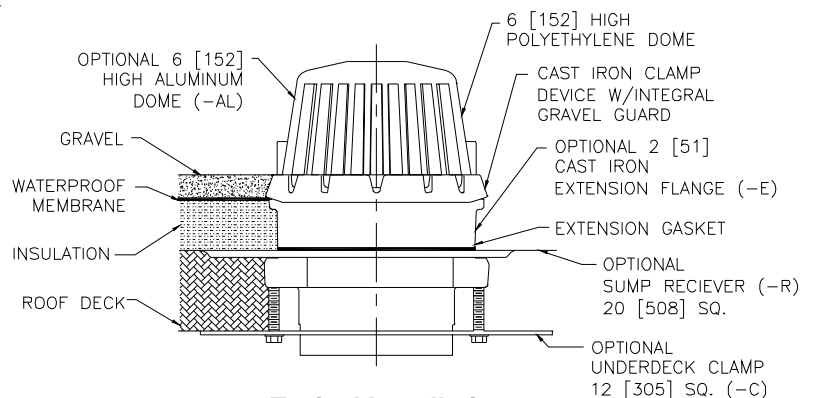
PVC or ABS body complete with steel-threaded inserts for increased strength and longevity. Standard to the PVC/ABS roof drain is a cast iron clamp device with an integral gravel guard and a polyethylene dome strainer.

Options:

- ___ -AL Aluminum Dome Strainer (6-9/16 [167] Dome Height)
- ___ -C Underdeck Clamp
- ___ -CI Cast Iron Dome Strainer (4-1/4 [108] Dome Height)
- ___ -E Extension Flange
- ___ -R Roof Sump Receiver
- ___ -VP Vandal-Proof Screws for Dome

Features

- Recommended for installation in flat areas with decks that are constructed of steel, wood, or concrete.
- Cast iron clamp device is provided to ensure strength and stability necessary for water-tight seal.
- PVC or ABS plastic body easily adapts to plastic pipe, simplifying the installation process.



Typical Installation