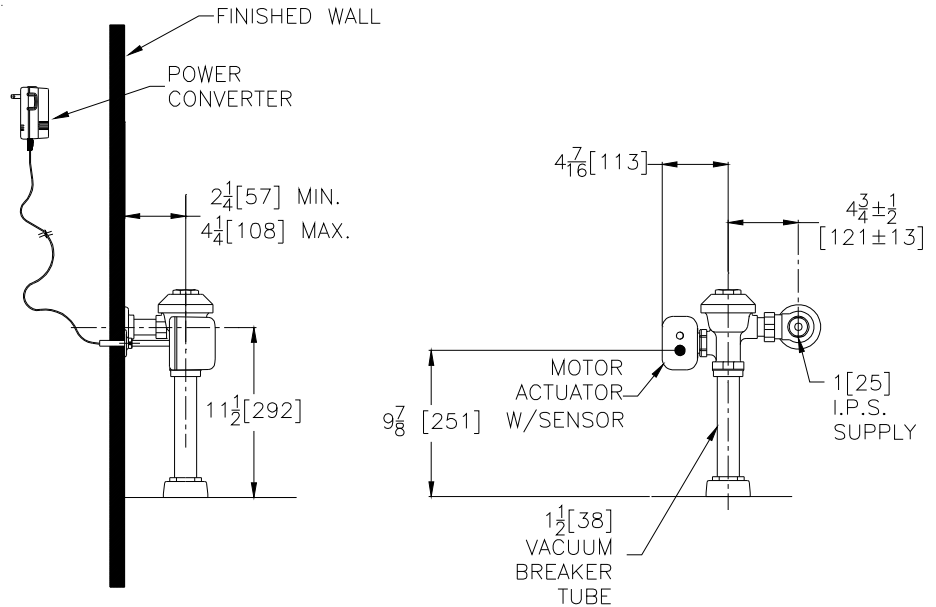




Exposed ZEMS6000PL-IS Model Hardwired Automatic Sensor Flush Valve For Water Closets



Flow Options

- WS1 1.6 GPF
- FF 4.5 GPF
- 3.5 GPF

Suffix Options (Check/Specify Appropriate Options)

- TFB Triple Filter Bypass
- YJ Split Ring Pipe Support
- YK Solid Ring Pipe Support
- YO Bumper on Angle Stop
- _____ Other

Accessories (Order separate as specified)

- P6000-MJ** Mini Junction Box
- P6000-HW6** Hardwire Power Converter (8 valves maximum)
- P6900-ACA-BA** Regulated AC Supply (6 valves maximum)

ENGINEERING SPECIFICATION: ZURN ZEMS6000PL-IS AquaFlush Exposed Hardwired Automatic Sensor Flush Valve For Water Closets

- Exposed, quiet diaphragm-type, chrome plated, flushometer valve with a polished exterior. Complete with a chloramine resistant, dual seal diaphragm with a clog resistant by-pass. The valve incorporates a 7.6 VDC motorized actuator, an integral infrared convergence-type proximity sensor and a manual push-button override into an all-metal, polished chrome plated housing. The valve is complete with high back pressure vacuum breaker, one piece hex coupling nut, adjustable tailpiece, spud coupling and flange for top spud connection. Control stop has internal siphon-guard protection. The AquaFlush® Plus is also furnished with a sweat solder kit, vandal resistant stop cap, and cast wall flange with set screw. Internal seals are made of chloramine resistant materials.

NOTE: MUST USE EITHER ZURN P6000-HW6 HARDWIRE POWER CONVERTER OR P6900-ACA-BA REGULATED PLUG-IN POWER CONNECTOR. TO ENSURE PROPER OPERATION. USING A POWER CONVERTER OTHER THAN ZURN MAY RESULT IN OPERATION MALFUNCTION OR UNIT FAILURE.

This space is for Architectural/Engineering Approval