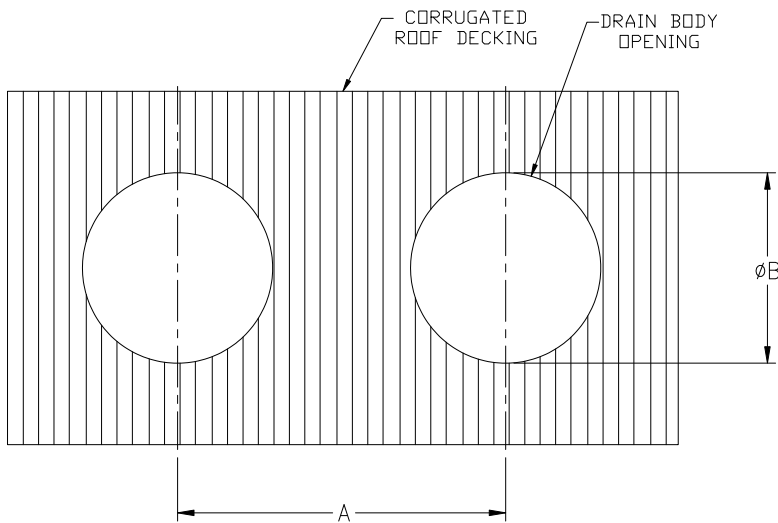
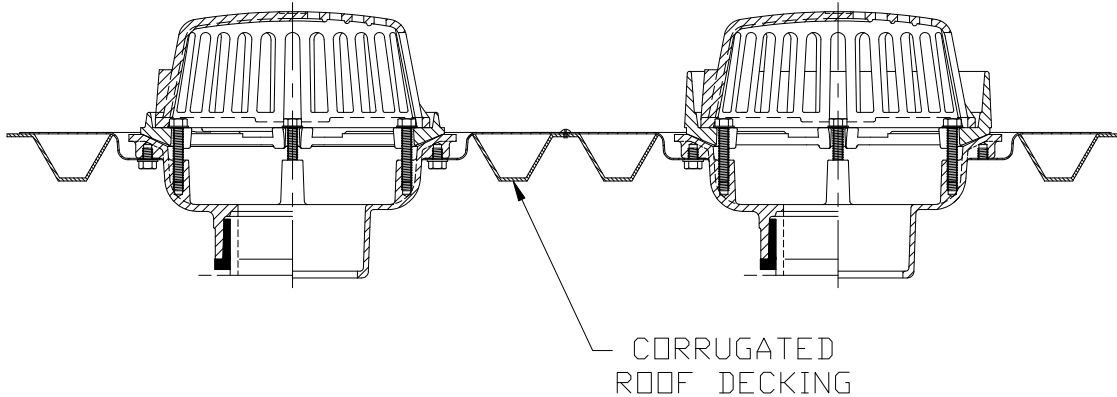




TYPICAL INSTALLATION FOR Z163, Z164, Z165 COMBINATION MAIN ROOF AND OVERFLOW DRAIN

Dimensional Data (inches and [mm]) are Subject to Manufacturing Tolerances and Change Without Notice



	A	ØB
Z163	24 [610]	16-1/2 [419]
Z164	20 [508]	13-1/2 [343]
Z165	16 [406]	10 [254]

Z163, Z164, Z165

COMBINATION MAIN ROOF AND OVERFLOW DRAINS

Drain installed in a typical corrugated roof decking application. All four sides and middle of deck plate must be supported adequately, subject to the approval of the project's structural engineer.

⚠ WARNING: Cancer and Reproductive Harm - www.P65Warnings.ca.gov

⚠ ADVERTENCIA: Cáncer y daño reproductivo - www.P65Warnings.ca.gov

⚠ AVERTISSEMENT: Cancer et effets néfastes sur la reproduction - www.P65Warnings.ca.gov