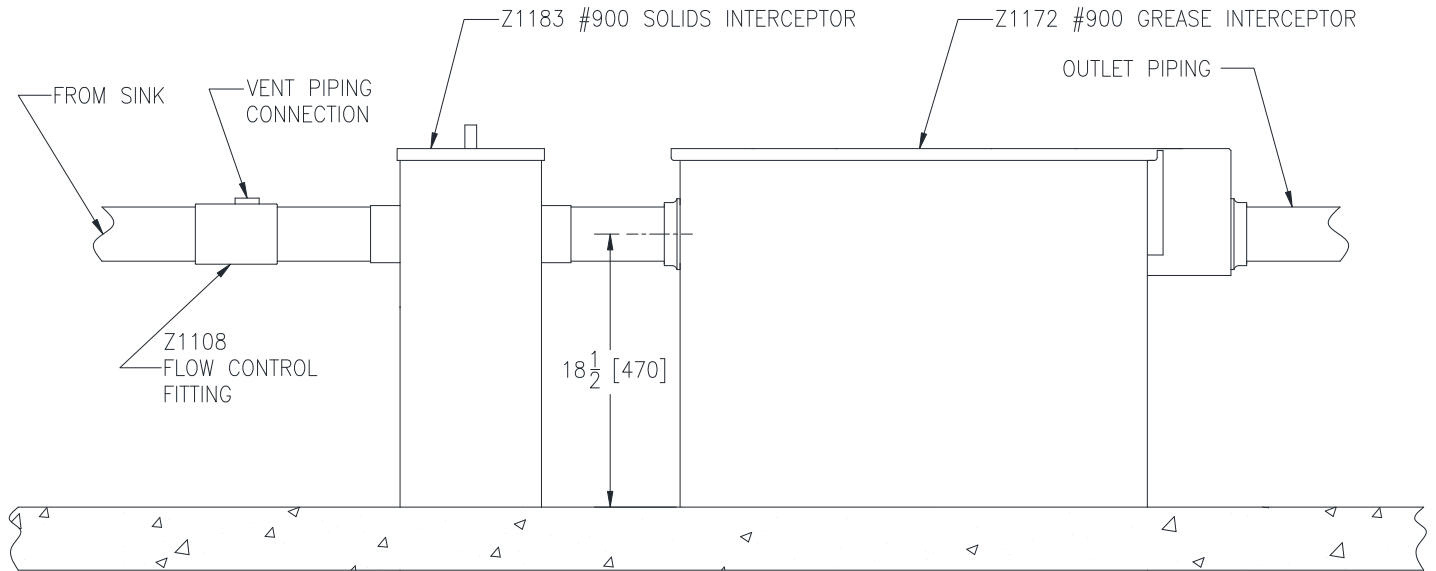




Z1172 #900

GREASE INTERCEPTOR WITH Z1183 #900 SOLIDS INTERCEPTOR AND FLOW CONTROL FITTING TYPICAL INSTALLATION EXAMPLE SHEET



*NOTE: PIPING BY OTHERS

⚠ WARNING: Cancer and Reproductive Harm - www.P65Warnings.ca.gov
⚠ ADVERTENCIA: Cáncer y daño reproductivo - www.P65Warnings.ca.gov
⚠ AVERTISSEMENT: Cancer et effets néfastes sur la reproduction - www.P65Warnings.ca.gov

Zurn Industries, LLC | Specification Drainage Operation
1801 Pittsburgh Avenue, Erie, PA U.S.A. 16502 · Ph. 855-663-9876, Fax 814-454-7929
In Canada | **Zurn Industries Limited**
3544 Nashua Drive, Mississauga, Ontario L4V 1L2 · Ph. 905-405-8272, Fax 905-405-1292
www.zurn.com

Rev. C
Date: 6/4/2018
C.N. No. 140093
Form No. IT64