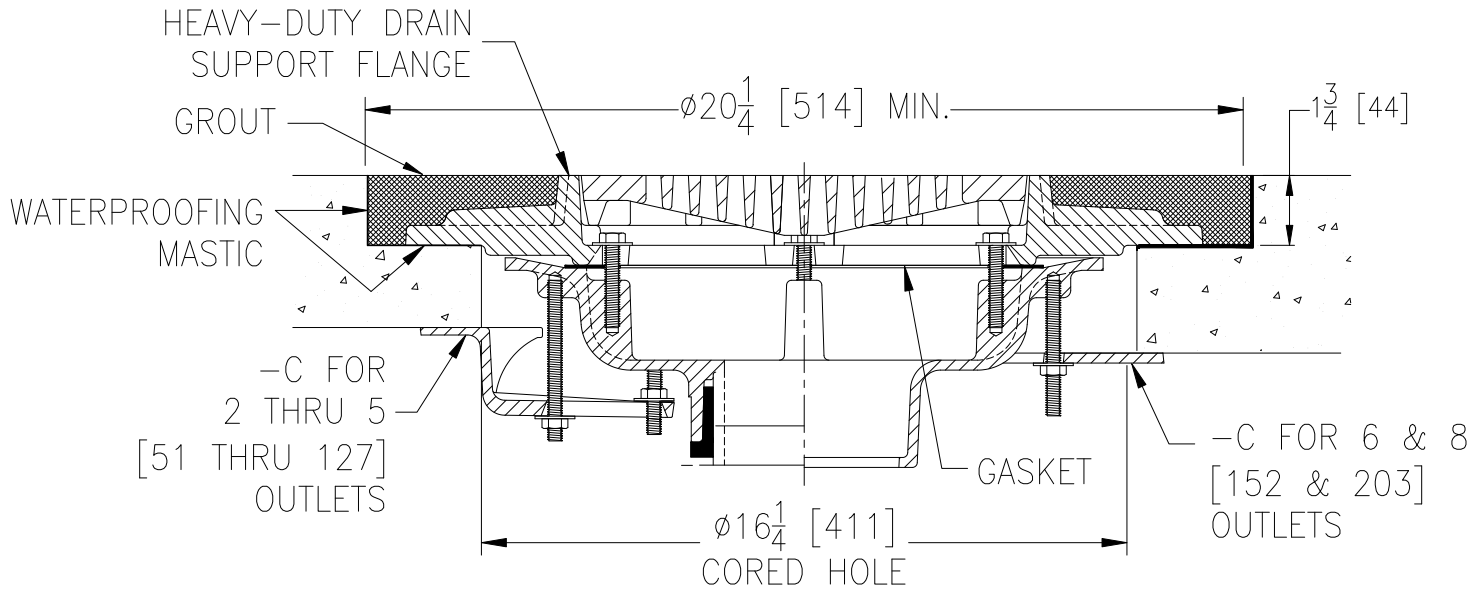




**TYPICAL INSTALLATION  
Z534-C**

**12-1/4 [311] DIAMETER HEAVY-DUTY  
PARKING DECK DRAIN W/ SUPPORT FLANGE**

Dimensional Data (inches and [ mm ]) are Subject to Manufacturing Tolerances and Change Without Notice



**Z534-C  
PARKING DECK DRAIN**

Parking Deck Drains are designed for economical installation in precast construction. Wide heavy-duty flange allows shallow core drilling or boxing out and maximum strength at load bearing surface. Heavy-duty non-tilt grate is standard and underdeck clamp (-C) is available to securely fasten drain body to deck from underside. For other available parking deck drains see Z533, Z535, Z535-E, Z536, Z536-24, and Z537.

- ⚠ **WARNING:** Cancer and Reproductive Harm - [www.P65Warnings.ca.gov](http://www.P65Warnings.ca.gov)
- ⚠ **ADVERTENCIA:** Cáncer y daño reproductivo - [www.P65Warnings.ca.gov](http://www.P65Warnings.ca.gov)
- ⚠ **AVERTISSEMENT:** Cancer et effets néfastes sur la reproduction - [www.P65Warnings.ca.gov](http://www.P65Warnings.ca.gov)