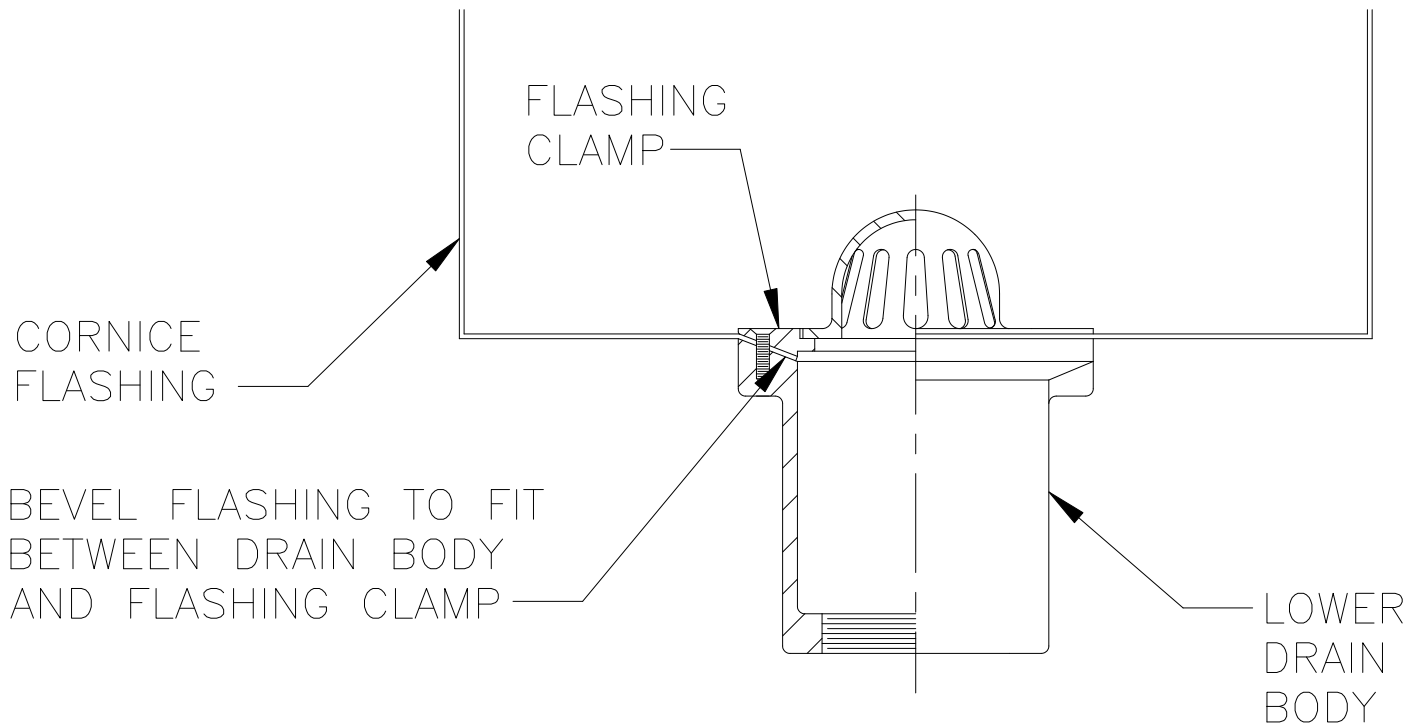




TYPICAL INSTALLATION FOR Z180 CORNICE DRAIN

Dimensional Data (inches and [mm]) are Subject to Manufacturing Tolerances and Change Without Notice



Z180 CORNICE DRAIN INSTALLED

This 4 [102] diameter cornice drain is complete with clamping collar and available with 1-1/2 [38] or 3 [76] high dome. To insure a water tight connection, it is recommended that a sealant be used between drain body mating parts and cornice flashing.

For a cornice drain with 90° outlet, see Z185.

⚠ WARNING: Cancer and Reproductive Harm - www.P65Warnings.ca.gov
⚠ ADVERTENCIA: Cáncer y daño reproductivo - www.P65Warnings.ca.gov
⚠ AVERTISSEMENT: Cancer et effets néfastes sur la reproduction - www.P65Warnings.ca.gov

Zurn Industries, LLC | Specification Drainage Operation
 1801 Pittsburgh Avenue, Erie, PA U.S.A. 16502 · Ph. 855-663-9876, Fax 814-454-7929
 In Canada | Zurn Industries Limited
 3544 Nashua Drive, Mississauga, Ontario L4V 1L2 · Ph. 905-405-8272, Fax 905-405-1292
www.zurn.com

Rev. B
 Date: 04/06/2018
 C.N. No. 139850
 Form No. RD19