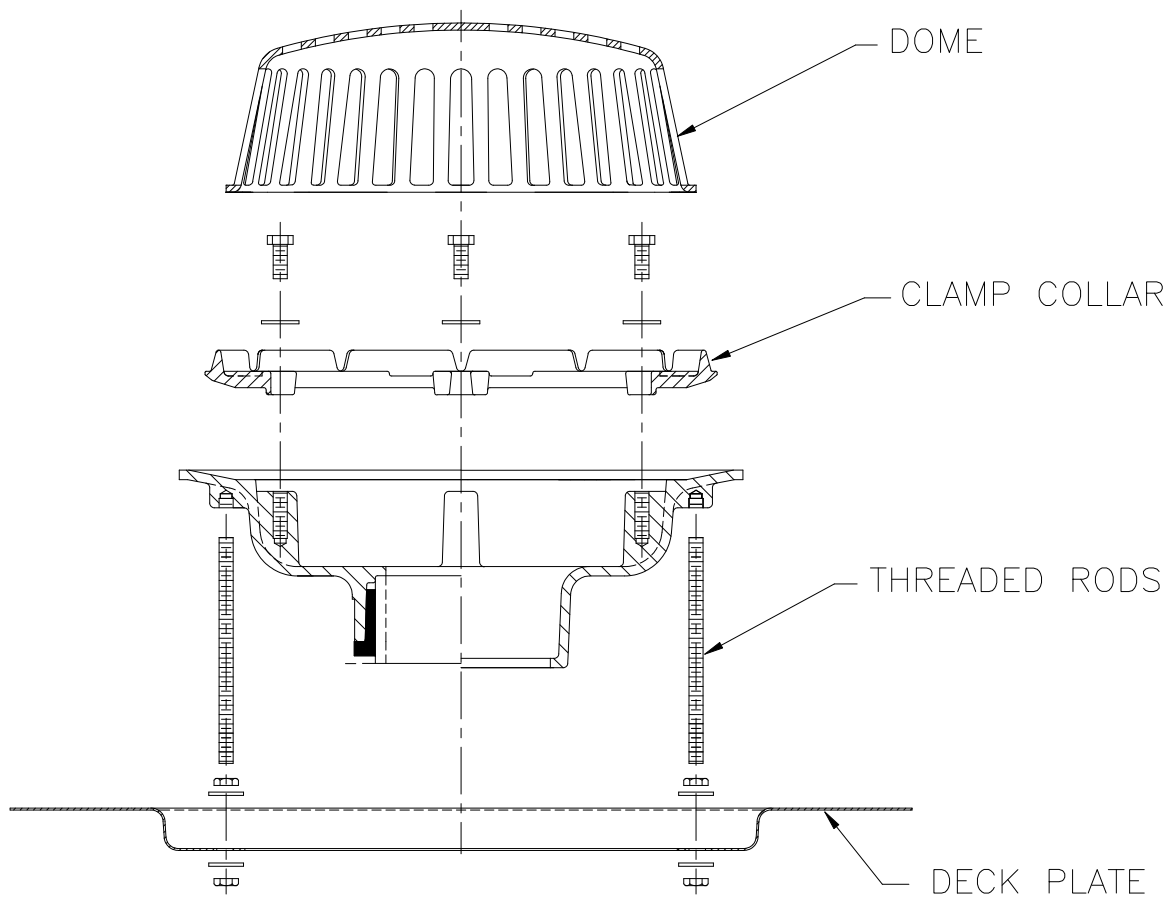




# TOP-SET® ADJUSTABLE EXTENSION ASSEMBLY INSTALLATION INSTRUCTIONS

Dimensional Data (inches and [ mm ]) are Subject to Manufacturing Tolerances and Change Without Notice

1. Create a square opening in roof (Q-deck) to receive drain assembly.  
Opening sizes are: Z100 18" x 18"  
Z101 24" x 24"  
Z121 15" x 15"  
Z125 11" x 11"
2. Fasten threaded rods into threaded holes in underside of drain body.
3. Fasten topside nuts and washers onto threaded rods, adjusting to desired elevation height.  
Note: maximum recommended adjustment is 6 inches.
4. Insert threaded rod ends into holes on the deck plate and fasten with underside nuts and washers.
5. Fasten the assembly to the roof with self tapping screws. (provided by others)
6. Attach dome to clamp collar to complete assembly.



**⚠ WARNING:** Cancer and Reproductive Harm - [www.P65Warnings.ca.gov](http://www.P65Warnings.ca.gov)  
**⚠ ADVERTENCIA:** Cáncer y daño reproductivo - [www.P65Warnings.ca.gov](http://www.P65Warnings.ca.gov)  
**⚠ AVERTISSEMENT:** Cancer et effets néfastes sur la reproduction - [www.P65Warnings.ca.gov](http://www.P65Warnings.ca.gov)