

## Trouble Shooting

Problem	Solution
Faucet leaks from under the handle. All supplies are on.	Remove faucet handle. Tighten retaining nut. Do not over tighten. Tighten until nut is snug.
No water comes out of faucet spout. All supplies are on.	Aerator is clogged. Remove aerator. Remove debris and reinstall aerator.
Water deflects at an angle from the faucet spout.	Aerator has debris. Remove aerator. Remove debris and reinstall aerator.
Faucet leaks from inlet supplies.	Aerator is loose. Water way may leak from aerator and appear under sink. Tighten aerator.
The faucet does not shut off and or it leaks from under the handle.	Check the chrome escutcheon nut and retaining ring.
The faucet exhibits a decrease in the flow of water.	Remove the aerator, flush out the debris and reassemble.

## Care Instructions

Assuming proper care, your faucet will provide you with years of trouble free service. Care in cleaning is important. The finish can be damaged with the use of harsh abrasive cleaners or polishes. To clean the faucet, gently wipe with damp cloth and blot dry with a soft towel.

## TEMP-GARD LIMITED WARRANTY

**LIMITED WARRANTY:** All goods sold here under are warranted to be free from defects in material and factory workmanship for a period of three (3) years from the date of purchase. We will replace at no cost, goods that prove defective provided we are notified in writing of such defect and the goods are returned to us prepaid at Falconer, New York with evidence that the valves have been properly maintained and used in accordance with instructions. WE SHALL NOT BE RESPONSIBLE FOR ANY LABOR CHARGES OR ANY LOSS, INJURY OR DAMAGES WHATSOEVER, INCLUDING INCIDENTAL OR CONSEQUENTIAL DAMAGES. The sole and exclusive remedy shall be limited to the replacement of the defective goods. Before installation and use, the purchaser shall determine the suitability of the product for its intended use and the purchaser assumes all risk and liability whatsoever in connection therewith, where permitted by law. THE IMPLIED WARRANTY OF MERCHANTABILITY IS LIMITED TO A PERIOD OF THREE (3) YEARS AND SHALL BE LIMITED SOLELY TO THE REPLACEMENT OF THE DEFECTIVE GOODS.

# TEMP-GARD™ Z7872C-XL & Z7870C-XL **ZURN**

Single Handle Kitchen Faucet With Ceramic Control Cartridge

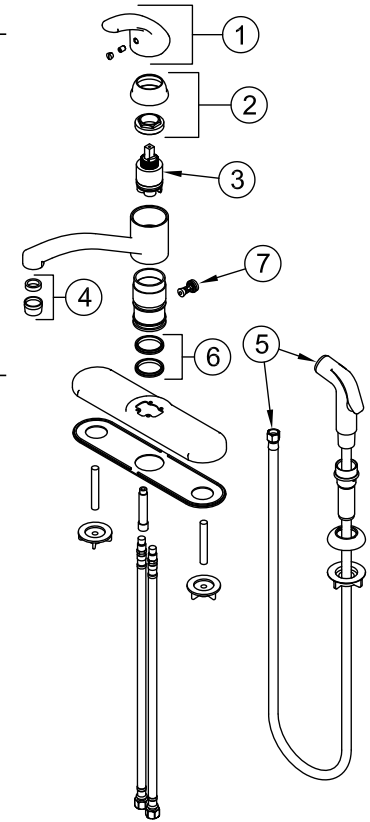
❑ Installation ❑ Maintenance Instructions ❑ Replacement Kits

### KITCHEN FAUCET PARTS

ITEM	PART NUMBER	DESCRIPTION	QTY
1	RK7872C-XL-6	<b>Lever Handle Assy.</b> Lever handle handle set screw color button red/blue	1 1 1
2	RK7872C-XL-3	<b>Cartridge Retaining Assy.</b> Retaining nut Chrome Escutcheon Nut	1 1

### Cartridge Assembly

ITEM	PART NUMBER	DESCRIPTION	QTY
3	RK7872C-XL-CART	<b>Ceramic Control</b>	1
4	RK7872C-XL-94	<b>Aerator Std. 2.2GPM</b> Aerator washer	1 1
	RK7872C-XL-SO	<b>1.0GPM Spray Outlet</b> Aerator washer	1 1
	RK7872C-XL-94LA	<b>2.2GPM Laminar Flow Outlet</b> Aerator washer	1 1
	RK7872C-XL-94FC	<b>0.5GPM Vandal-Resistant Aerator</b> Aerator washer	1 1
	RK7872C-XL-94VP	<b>2.2GPM Vandal-Resistant Aerator</b> Aerator washer	1 1
5	RK7872C-XL-21	<b>Spray hose &amp; handset Assy. (Model Z7872C-XL only)</b> spray hose spray handset	1 1
6	RK7872C-XL-QR	<b>Quad Ring Seal Repair Kit</b> Quad Ring	2
7	RK7872C-XL-DV	<b>Diverter Assy. (Model Z7872C-XL Only)</b>	1






**Spray hose & handset Assy (Model Z7872C-XL only)**

## Installation Instructions

1. Shut off the hot and cold water supplies. Remove the old faucet.
2. Place the plastic base plate on the sink deck above the holes.  
**In some installations, a sealant may be required to make a water tight seal between the faucet base plate and the mounting surface. The installer should verify the compatibility of the selected sealant with the mounting surface manufacturer. Both plumber's putty and silicone sealants are compatible with Zurn faucets and fixtures. Consult the mounting surface manufacture for their recommendation of sealant.**
3. Insert the mounting studs and stainless steel supply hoses through the holes in the sink deck. Secure the faucet to the sink deck by threading on the faucet mounting nuts on to the mounting studs.

Caution: Do not over tighten the faucet mounting nuts.

4. Connect the hot and cold water supplies. (While looking at the faucet viewed from the front of the faucet) Connect the hot supply to the left faucet hose. Connect the cold water supply to the right faucet hose. The faucet hose connections are 3/8" female compression fittings.
5. Remove the faucet aerator and fully open the faucet water supply valves. Turn on the Hot and Cold water supplies and flush supply lines of debris. Turn off the faucet valves and check for leaks at all connections. Replace the aerator and hand tighten to prevent leaks. For additional grip you can wrap the aerator with a rubber band.
6. Spray hose & handset Assembly (**Model Z7872C-XL only**) unit installation. Install the plastic handset holder with shank into the mounting flange and hole in the sink. Attach mounting nut to shank and tighten to secure to sink. Slide the fitting end of the spray hose through the handset holder and attach the fitting onto the male threaded end of the faucet housing. Tighten until snug. Slide the hose down through the handset holder until the spray unit rests flush with the sink. Check for leaks. Tighten fitting if necessary.

-  **WARNING:** Cancer and Reproductive Harm - [www.P65Warnings.ca.gov](http://www.P65Warnings.ca.gov)
-  **ADVERTENCIA:** Cáncer y daño reproductivo - [www.P65Warnings.ca.gov](http://www.P65Warnings.ca.gov)
-  **AVERTISSEMENT:** Cancer et effets néfastes sur la reproduction - [www.P65Warnings.ca.gov](http://www.P65Warnings.ca.gov)

## Maintenance Instructions (ceramic control cartridge replacement)

Helpful Hint: Before working on the faucet, cover the drain with sheets of newspaper or cardboard material. This will keep the small parts from falling through the drain.

1. Turn off the water supplies.
2. Remove the color red/blue button. Loosen the handle set screw.
3. Pull off the lever handle. Loosen the chrome bonnet nut by turning counterclockwise.
4. Unscrew the chrome escutcheon nut. Unscrew and remove the brass retaining nut counterclockwise.
5. Pull out the ceramic control cartridge. If necessary use small pliers to grab the valve stem. Do not use a screw driver to pry up the ceramic cartridge. Damage of the cartridge can result if prying is performed.
6. Check the interior of the bore for debris. At the bottom of the housing bore area check the three holes for debris. Clean if necessary. If the parts look fine re-install the ceramic cartridge assembly. Use a silicone base lubricant on the o-ring of the cartridge before re-installation.
7. When installing the ceramic control cartridge assembly, make sure that the two smaller o-rings on the bottom are properly installed within the o-ring grooves of the cartridge. Lightly install the cartridge into the faucet housing so that the pins of the cartridge line up with the small dowel holes at the bottom of the faucet housing. The alignment holes will appear at the 5 and 7 o'clock positions at the base of the faucet housing. Push the control cartridge all the way down until it is fully seated into the alignment dowel holes. Proper installation will allow about 1/8" of threads showing above the cartridge assembly.
8. Re-install the brass retaining nut into the faucet housing by turning the nut in a clockwise rotation.
9. Re-install the chrome escutcheon nut until snug.
10. Turn on the water supply. Check for leaks. Re-adjust the retaining nut if necessary. Reinstall the lever handle. Reinstall the color button.

If a new ceramic control cartridge is required use: RK7872C-XL-CART

Always use Zurn parts when performing routine maintenance. The use of non-Zurn parts will void your warranty. After any maintenance is performed on the valve, flush the system as noted in the Faucet Test and Adjustment section of the instructions.