



AquaSense®

EZ Gear Hardwire Powered Gooseneck Sensor Faucets Installation, Operation, Maintenance and Parts Manual

Patented and Patents Pending



Z6920-XL



Z6922-XL

Sensor-Operated Lavatory Faucets

- ⚠ **WARNING:** Cancer and Reproductive Harm - www.P65Warnings.ca.gov
- ⚠ **ADVERTENCIA:** Cáncer y daño reproductivo - www.P65Warnings.ca.gov
- ⚠ **AVERTISSEMENT:** Cancer et effets néfastes sur la reproduction - www.P65Warnings.ca.gov

LIMITED WARRANTY

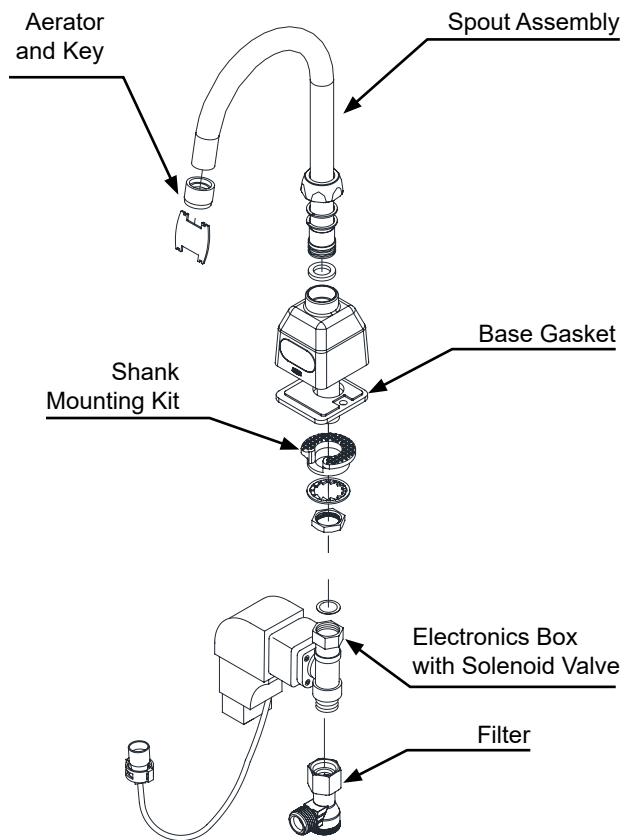
All goods sold hereunder are warranted to be free from defects in material and factory workmanship for a period of three years from the date of purchase. Decorative finishes warranted for one year. We will replace at no costs goods that prove defective provided we are notified in writing of such defect and the goods are returned to us prepaid at Sanford, NC, with evidence that they have been properly maintained and used in accordance with instructions. We shall not be responsible for any labor charges or any loss, injury or damages whatsoever, including incidental or consequential damages. The sole and exclusive remedy shall be limited to the replacement of the defective goods. Before installation and use, the purchaser shall determine the suitability of the product for his intended use and the purchaser assumes all risk and liability whatever in connection therewith. Where permitted by law, the implied warranty of merchantability is expressly excluded. If the products sold hereunder are "consumer products," the implied warranty of merchantability is limited to a period of three years and shall be limited solely to the replacement of the defective goods. All weights stated in our catalogs and lists are approximate and are not guaranteed.

NOTICE: READ ENTIRE MANUAL PRIOR TO INSTALLING PRODUCT.

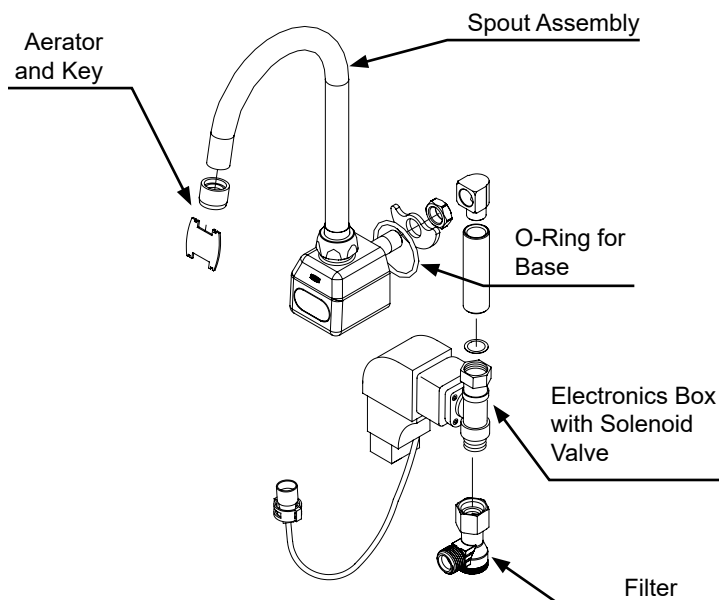
This Page Intentionally Left Blank

AquaSense® Package Contents

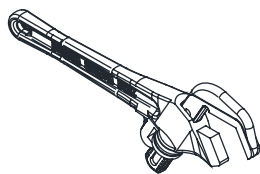
Z6920-XL



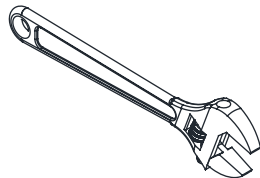
Z6922-XL



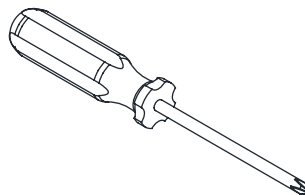
Required Tools



Smooth Jawed
Wrench



Adjustable Wrench
(Optional)



Phillips Head
Screwdriver



3/32", M3
Allen Wrenches

Overview:

AquaSense® sensor faucets are ideal for high-use applications where durability and hands-free operation are necessary. ADA compliant, battery powered, polished chrome-plated cast brass sensor faucet with infrared proximity sensor for retrofit and new construction. Unit is furnished with a standard 0.5 GPM aerator, and mounting hardware.

Zurn Lead Free products (-XL) are designed and manufactured to comply with Section 1417 of the Safe Drinking Water Act (SDWA) which mandates the weighted average lead content of no more than 0.25% of the wetted surface

Specifications:

Voltage:	7.5 VDC external power supply
Sensor Range:	Self-calibrated, dependent upon sink depth and finish.
Operating Water Pressure:	10-125 psi
Operational Water Temperature:	33°F to 140°F (1°C to 60°C)
Aerator:	0.5 GPM Vandal-Resistant (Standard)

Important Safety Information:

- Installer is responsible for ensuring the product is installed and conforms to all plumbing codes and ordinances.
- Do not convert or modify this Zurn product yourself. All warranties will be voided.
- Water supply lines must be sized according to building designer in order to provide adequate water supply for each fixture.
- Flush all water lines prior to making connections.

Prior to Installation:

Before installing your Zurn® AquaSense® Faucet: the items listed below should already be installed on site.

- Lavatory/sink
- Drain Line
- Hot and cold water supply line or pre-tempered water supply line.
- Installer/Service should not use pipe dope or teflon/thread sealant anywhere on this product, most notably threads and connection points.
- Care shall be taken when installing this product to prevent marring of any exposed or decorative surfaces.

⚠ *Be sure the water supply is turned on and the sink/lavatory/basin is clear from any objects upon making the sensor to electronics connection initiating the self-calibration feature. The sink must be clear of any and all objects and water supply is turned on in order to calibrate appropriately (calibration time approx 30-60sec) (the system will perform both a wet & dry calibration).*

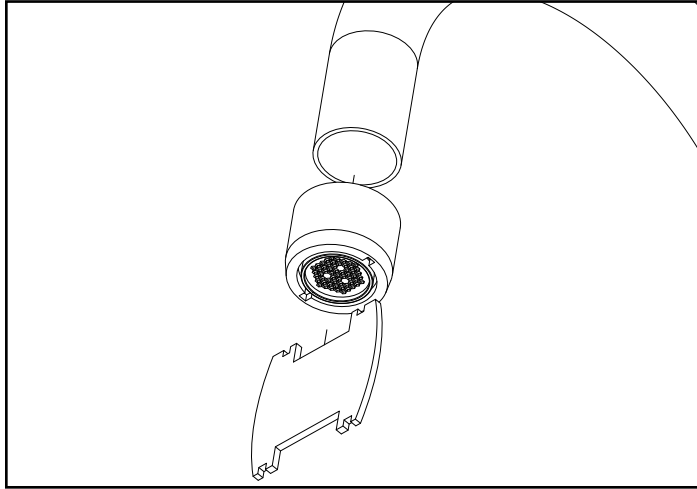
NOTE: The information in this manual is subject to change at any time without notice. Installations may be performed at different times of construction by different individuals. For this reason, these instructions should be left on-site with the facility or maintenance manager.

Spout Installation Instructions

NOTE: Before installation, turn off water supplies to existing faucet and remove faucet if replacing an existing device. Clean the faucet basin and clear away debris. Flush all supply lines before connecting the faucet. Failure to do so may result in debris clogging the inlets and/or internal control and mixing valve

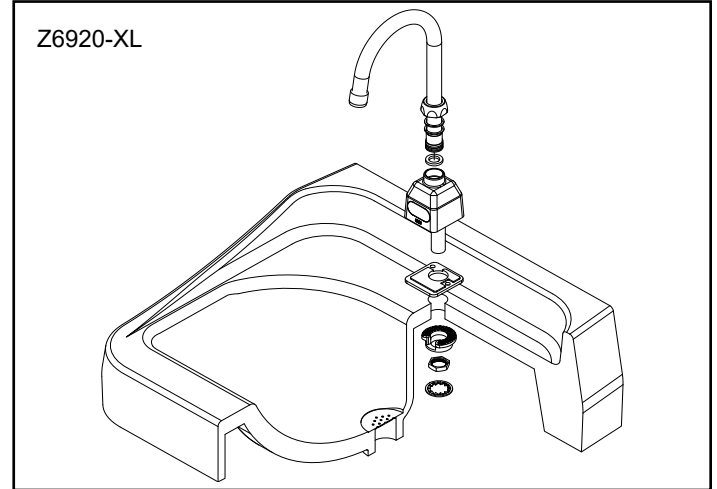
1. Carefully screw aerator into spout using included tool.

⚠ Take care to not pinch blue o-ring



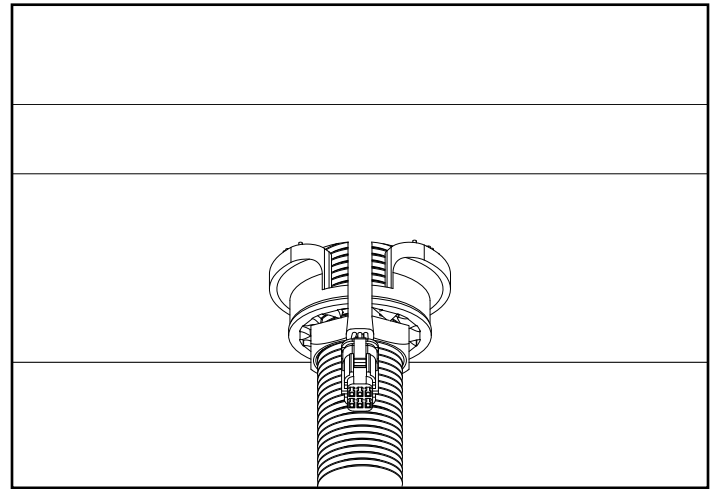
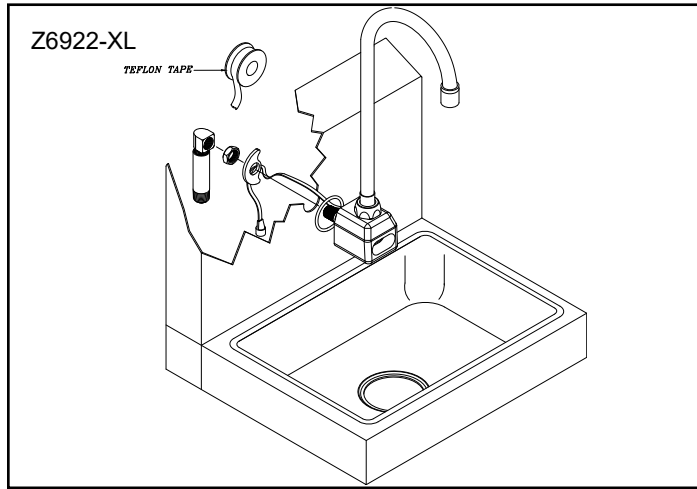
2. Install spout to sink using spout base gasket, plastic mounting washer, star washer and mounting nut.

Note: Faucet location needs to be within 3 feet radius above electrical outlet for ACA configurations.



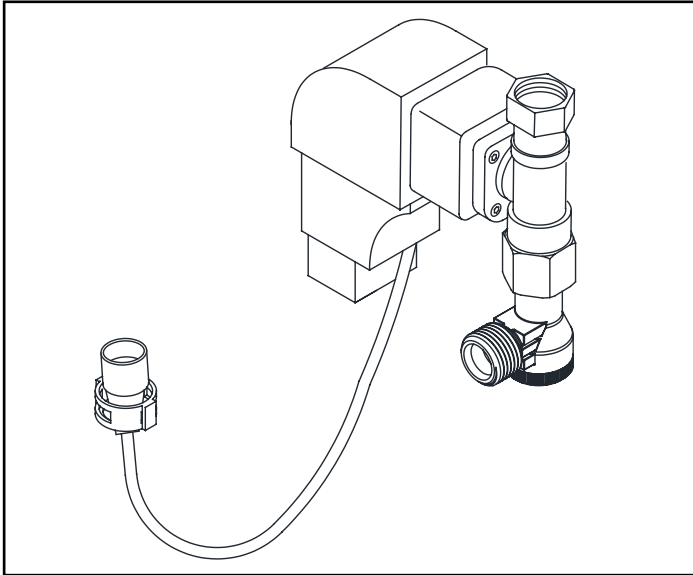
3. Ensure that slot in plastic washer is facing forward.

⚠ Sensor cable should not pass through plastic mounting washer.

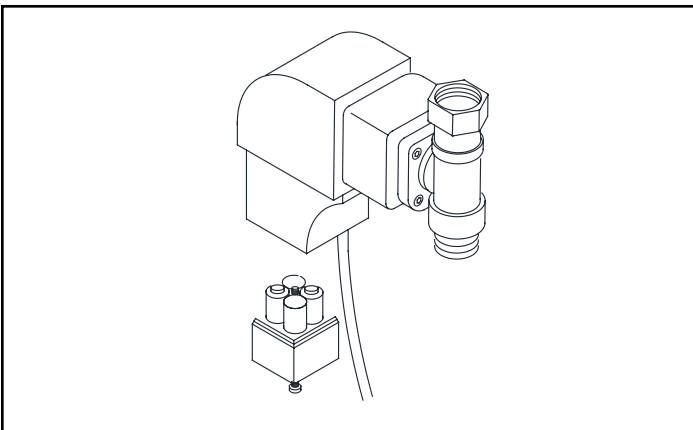


Electronics Module Installation Instructions

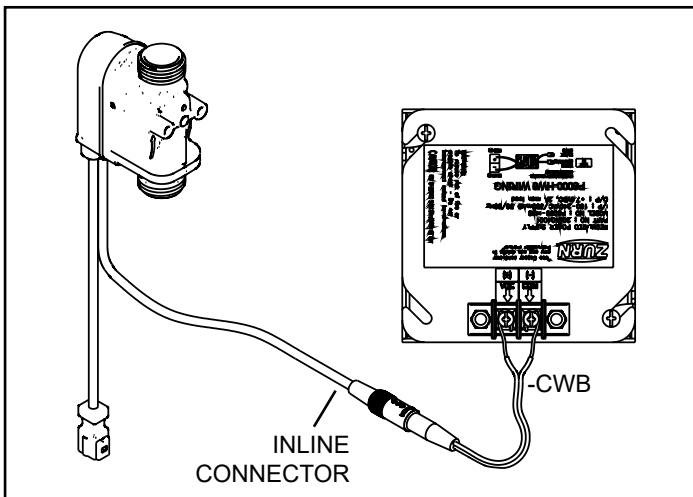
1. Assemble the electronics module



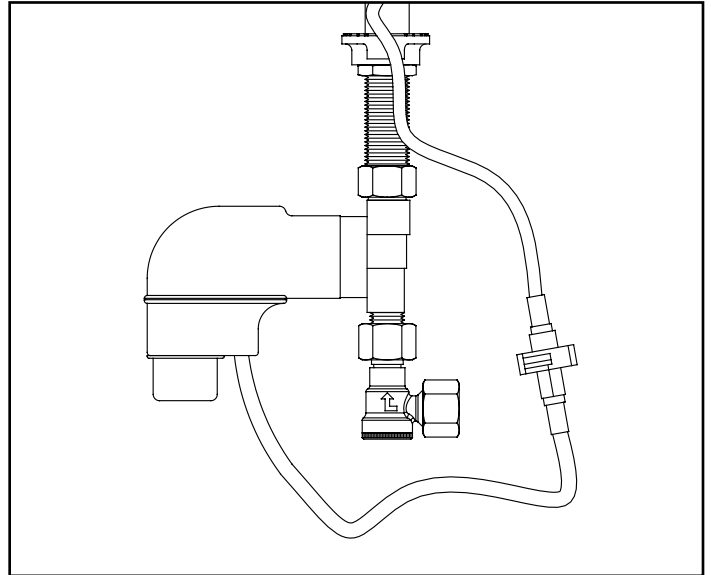
3. Open battery module using supplied Allen wrench and install supplied batteries in the electronics module.



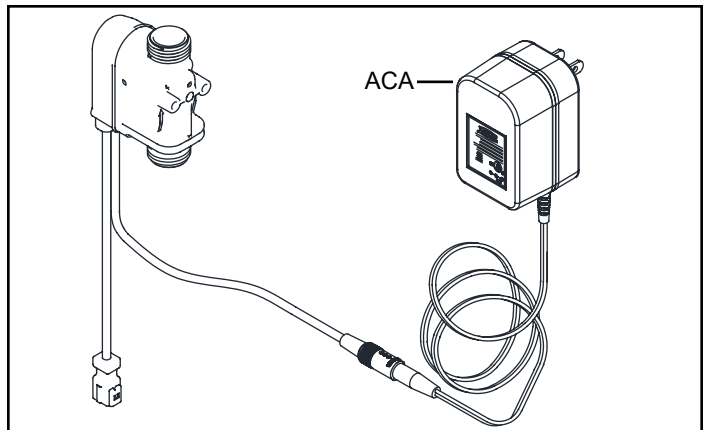
3b. Optional HW6 (Hardwired 6V) version: Connect supplied inline connector and hardwire adapter. When securing the CWB wires to the screw terminals on HW6 unit, the BLACK WITH DASHED MARKINGS should be connected to the Positive (+) terminal, and the SOLID BLACK wire should be connected to the Negative (-) terminal.



2. For battery-powered version, connect sensor inline connector to electronics module.

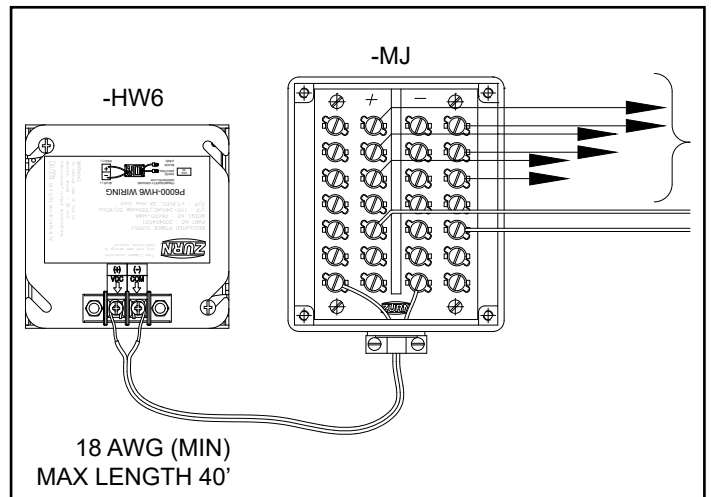


3a. Optional ACA version: Connect supplied inline connector and AC adapter.

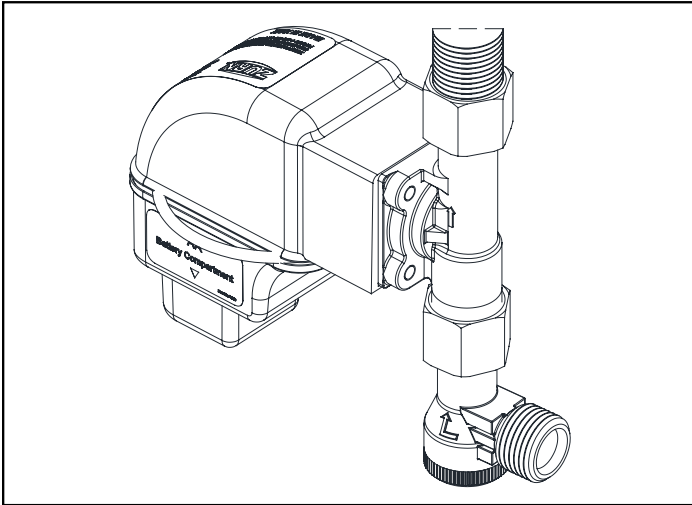


MJ unit (sold separately)

Note: Do not connect more than 8 solenoids to a single transformer

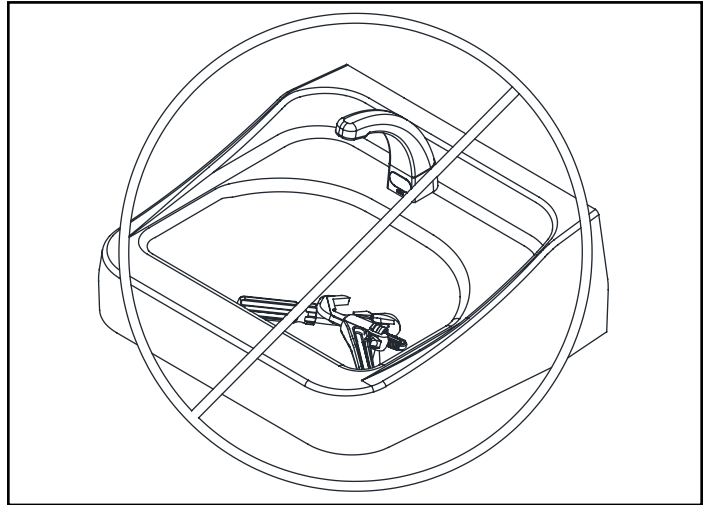


4. Tighten electronics module assembly with hydrogenerator to shank and connect water line(s).

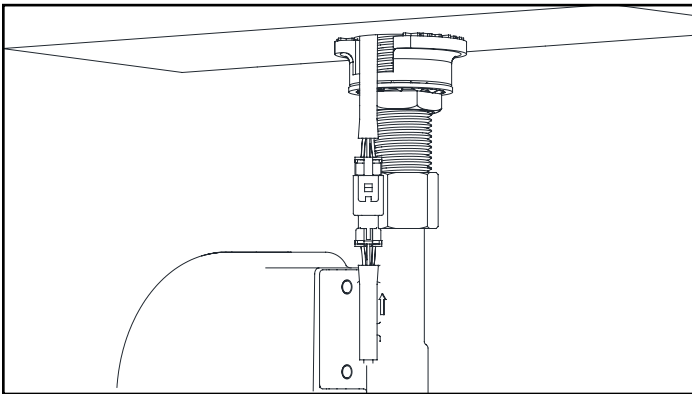



5. Ensure that sink is clear of tools/debris and is in normal operating condition.

6. Turn on water supply(ies). Water supply must be turned on in order for sensor to perform wet calibration step.



7. Connect sensor inline connector to sensor cable from spout.



 Do not engage the sensor for 30 seconds after the connection is made. The sensor will perform automatic calibration.

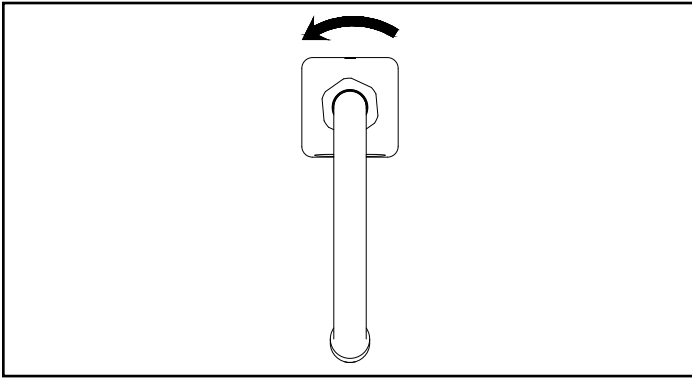
Trouble Shooting: Faucet

POTENTIAL SITUATIONS	POSSIBLE CAUSES	SUGGESTED SOLUTION TIPS
Faucet is non-responsive	Battery voltage low or no power.	Change out batteries or verify power provided by HW6 or ACA
	Sensor and electronic connector cable has bent or broken pins.	Check to see if pins are missing, bent, or broken. If yes, then the electronic box needs replaced
	Sensor lens could have surface damage, scratches, or deposit build ups.	Inspect the sensor lens. May require cleaning with a damp cloth or sensor replacement.
Faucet does not activate after initial installation	Sensor may not have had enough time to calibrate prior to a user or target trying to initiate activation.	Disconnect the sensor and electronic box cables and wait for 30 seconds. Reconnect the cables, but allow for another 30 seconds before placing hands or a target within the sensor range. You should hear a click of the solenoid once calibration is complete.
	Check if protective film was removed from lens.	
Water does not stop	Electronics box cable connector has bent pins that are shorted	Check to see if pins are missing, bent, or broken. If yes, then the electronic box needs replaced.
Ghost Activation	Sensor lens could be obstructed or environmental factors such as high reflective surfaces and/or bright sunlight conditions.	Check/clean sensor lens of any debris or buildup. Adjust lighting conditions if sunlight or IR interference is a factor.
"Sensor faucet is leaking underneath the sink or counter"	Mounting hardware is not tightened sufficiently (faucet shank, electronic box, supply hoses, etc)	Check and ensure the nuts and joints are tight and secure from the supply stop all the way to the faucet shank.
	Missing the washer located in the solenoid box nut where it assembles to the faucet shank.	Make sure the water supply stops are shut off. Check to ensure the washer is installed or damaged. If not, install washer. If a washer is damaged, replace with new.

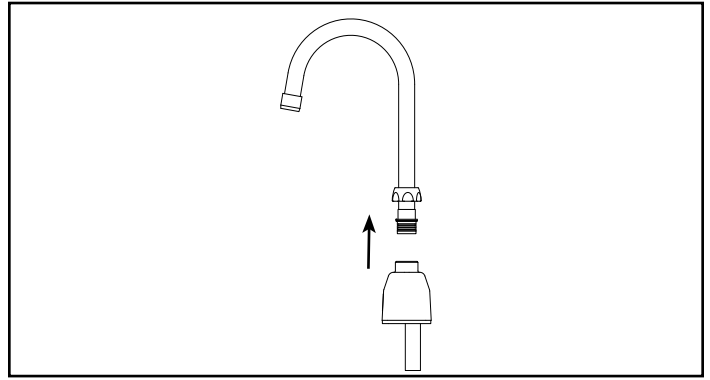
For further assistance with troubleshooting visit <http://www.zurn.com>

Spout Replacement

To replace spout body, you must first turn water off, then remove spout.



Turn the spout nut to loosen the spout for removal.

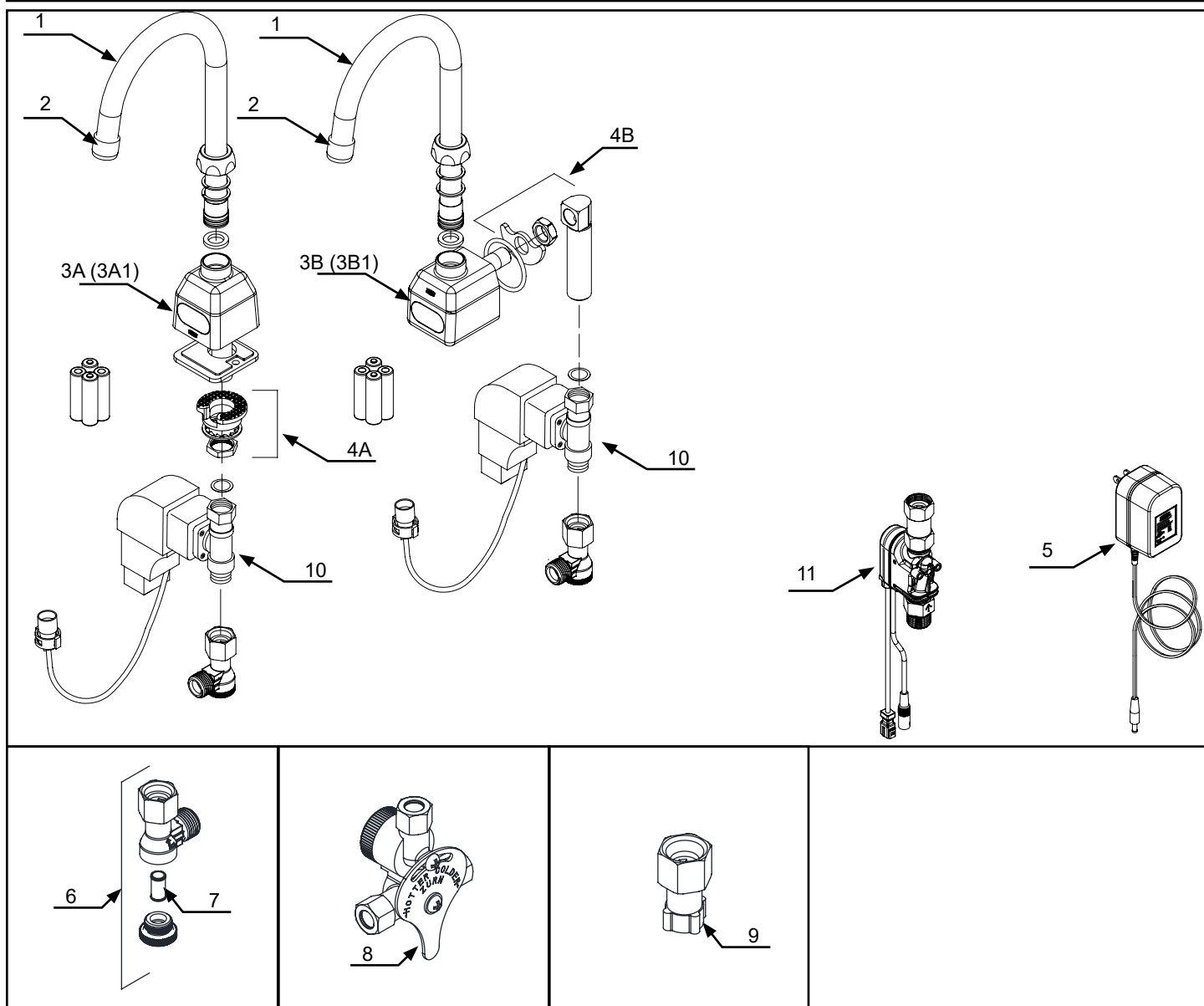


Lift spout up to remove spout.

Care and Cleaning Instructions

- Do not use any abrasive or chemical cleaners to clean the faucets.
- If abrasives or chemicals are used it can lead to dulling of luster, attacking of chrome plating or decorative finishes.
- ONLY use mildly warm soapy water, and then wipe the device dry with a clean/soft towel or cloth.
- Upon cleaning other areas of the restroom be sure the sensor lenses are protected from other cleaning chemicals/solvents to prevent potential damages to the sensor and/or electronics.

Z6920-XL & Z6922-XL Parts List



Description	Product No.
5 3/8" Gooseneck Spout with Nut, Item 1	P6900-GB
1.5 GPM Vandal Resistant Laminar Aerator, Item 2	P6900-20J-GN
Z6920 No Lead Spout Base with Sensor Assembly, Item 3A	P6920-XL-1
Z6920 No Lead Spout Base with Gen III Sensor Assembly, Item 3A1 (Use ONLY for ACA/CWB skus with Ceramic Valve)	P6920-XL-2
Z6922 No Lead Spout Base with Sensor Assembly, Item 3B	P6922-XL-1
Z6922 No Lead Spout Base with Gen III Sensor Assembly, Item 3B1 (Use ONLY for ACA/CWB skus with Ceramic Valve)	P6920-XL-2

Description	Product No.
Z6920 Mounting Kit, Item 4A	P6920-43
Z6922 Mounting Kit, Item 4B	P6920-43
Plug-in Power Converter, Item 5	P6900-ACA
Filter Kit, Item 6	P6900-120BC
Filter Screen, Item 7	P6900-MV-7
Mixing Valve with Filter, Item 8	P6900-XL-MV
Composite Mixing Valve Adapter, Item 9	P6900-MV-ADAP
Electronics Box with Solenoid, Item 10	P6900-B-L
Ceramic Valve, Item 11	P6900-XL-CV-B-L

This Page Intentionally Left Blank

