



# Z5005.02

## Sundara® Inlet Triple Basin Hand Washing System

### Installation, Maintenance, and Parts Manual

PATENT(S) PENDING



## Sundara® Inlet Double Basin Hand Washing System

### LIMITED WARRANTY

All goods sold hereunder are warranted to be free from defects in material and factory workmanship for a period of three years from the date of purchase. Decorative finishes warranted for one year. We will replace at no costs goods that prove defective provided we are notified in writing of such defect and the goods are returned to us prepaid at Atlanta, GA, with evidence that they have been properly maintained and used in accordance with instructions. We shall not be responsible for any labor charges or any loss, injury or damages whatsoever, including incidental or consequential damages. The sole and exclusive remedy shall be limited to the replacement of the defective goods. Before installation and use, the purchaser shall determine the suitability of the product for his intended use and the purchaser assumes all risk and liability whatever in connection therewith. Where permitted by law, the implied warranty of merchantability is expressly excluded. If the products sold hereunder are "consumer products," the implied warranty of merchantability is limited to a period of three years and shall be limited solely to the replacement of the defective goods. All weights stated in our catalogs and lists are approximate and are not guaranteed.

**⚠ WARNING:** Cancer and Reproductive Harm - [www.P65Warnings.ca.gov](http://www.P65Warnings.ca.gov)

**⚠ ADVERTENCIA:** Cáncer y daño reproductivo - [www.P65Warnings.ca.gov](http://www.P65Warnings.ca.gov)

**⚠ AVERTISSEMENT:** Cancer et effets néfastes sur la reproduction - [www.P65Warnings.ca.gov](http://www.P65Warnings.ca.gov)

**NOTE:** The information in this manual is subject to change at any time without notice. Installations may be performed at different times of construction by different individuals. For this reason, these instructions should be left on-site with the facility or maintenance manager.

**NOTE:** READ ENTIRE MANUAL PRIOR TO INSTALLING PRODUCT.

## Overview:

Designed for modern commercial restrooms, the Sundara system delivers a superior user experience in both form and function. Crafted by world-class industrial designers Sundara combines seamless basin designs with curated faucets and soap dispensers, delivering a complete, easy to install hand washing solution.

## Specifications:

Sundara® Inlet double basin lavatory system manufactured by Zurn Industries. Lavatory shall be mounted at standard height to conform with ANSI, UFAS, TAS and ADA Accessibility Standards. Counter and integral basin to be constructed of Sundara® solid surface resin with aluminum trihydrate and other additives conforming to CSA B45.5 / IAPMO Z124 and IAPMO IGC 156 standards. Shroud enclosure is constructed of satin finished type 304, 18 gage stainless steel designed for easy access with vandal resistant hardware. Lavatory is furnished complete with 0.5 gpm spray sensor operated faucet (specify model) and optional liquid soap dispenser (specify model), ½" quarter turn supply stops, 3/8" flexible supply risers, chrome 1 ¼" tail piece, and chrome 1 ¼" p-trap for complete system operation.

### Paired Faucet Typical Specification

(Refer to faucet manual for more details on specific model)

Voltage: 6 VDC Series [4 "AA" (Alkaline or Lithium) and/or external power option]

Sensor Range: Self-calibrated, dependent upon sink depth and finish.

Operating Water Pressure: 10-125 psi

Operational Water Temperature: 33°F to 140°F (1°C to 60°C)

Aerator: 0.5 GPM Vandal-Resistant (Standard)

### Paired Soap Dispenser Typical Specification

(Refer to soap dispenser manual for more details on specific model)

Power Supply: AC 110 V; DC 6V

Soap Viscosity: 100-3800 cps

Operating Temperature: 34° - 131°F

Typical Dispensed Volume: 1.25 ml

## Important Safety Information:

- Installer is responsible for ensuring the product is installed and conforms to all plumbing codes and ordinances.
- Do not convert or modify this Zurn product yourself. All warranties will be voided.
- Water supply lines must be sized according to building design in order to provide adequate water supply for each fixture.
- Flush all water lines prior to making connections.



• Minimum 2 people required for the sink installation.



• Au minimum, 2 personnes sont requises pour l'installation du lavabo.

## Prior to Installation:

- If applicable, carrier (Z1240 series) is installed behind the wall.
- Hot and cold water supply lines are installed as per building codes.
- Care shall be taken when installing this product to prevent damage of any exposed or decorative surfaces.
- Measure the drain outlet from the floor.

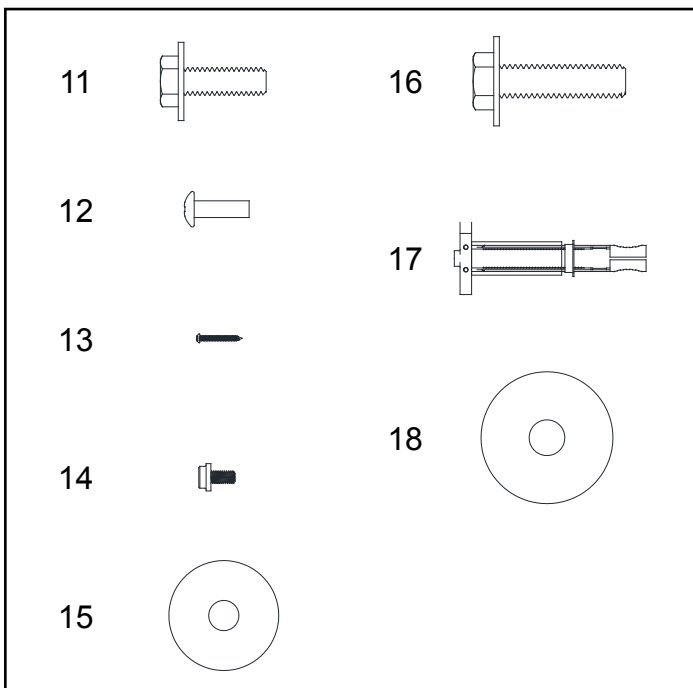
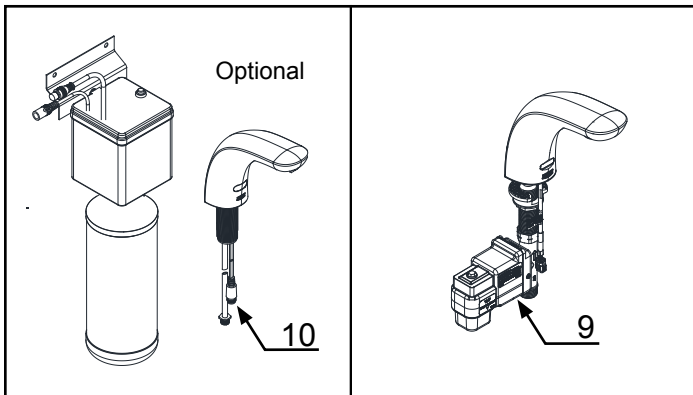
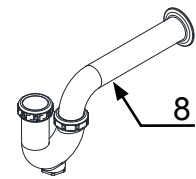
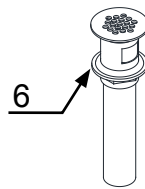
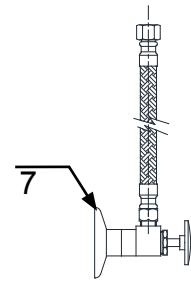
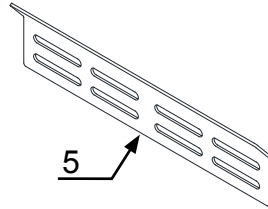
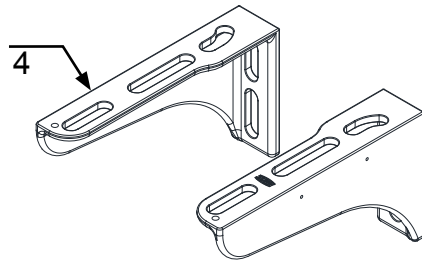
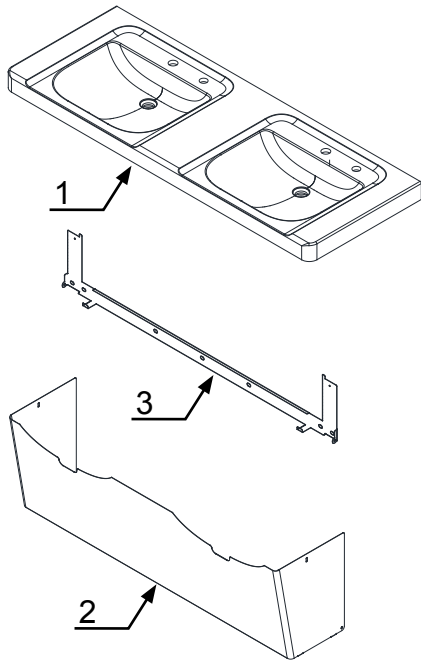


*Be sure the sink/lavatory/basin is clear from any objects upon making the sensor to electronics connection initiating the self-calibration feature. The sink must be clear of any and all objects in order to calibrate appropriately (calibration time approx 30-60sec). Note: Not applicable to manual faucet installations.*

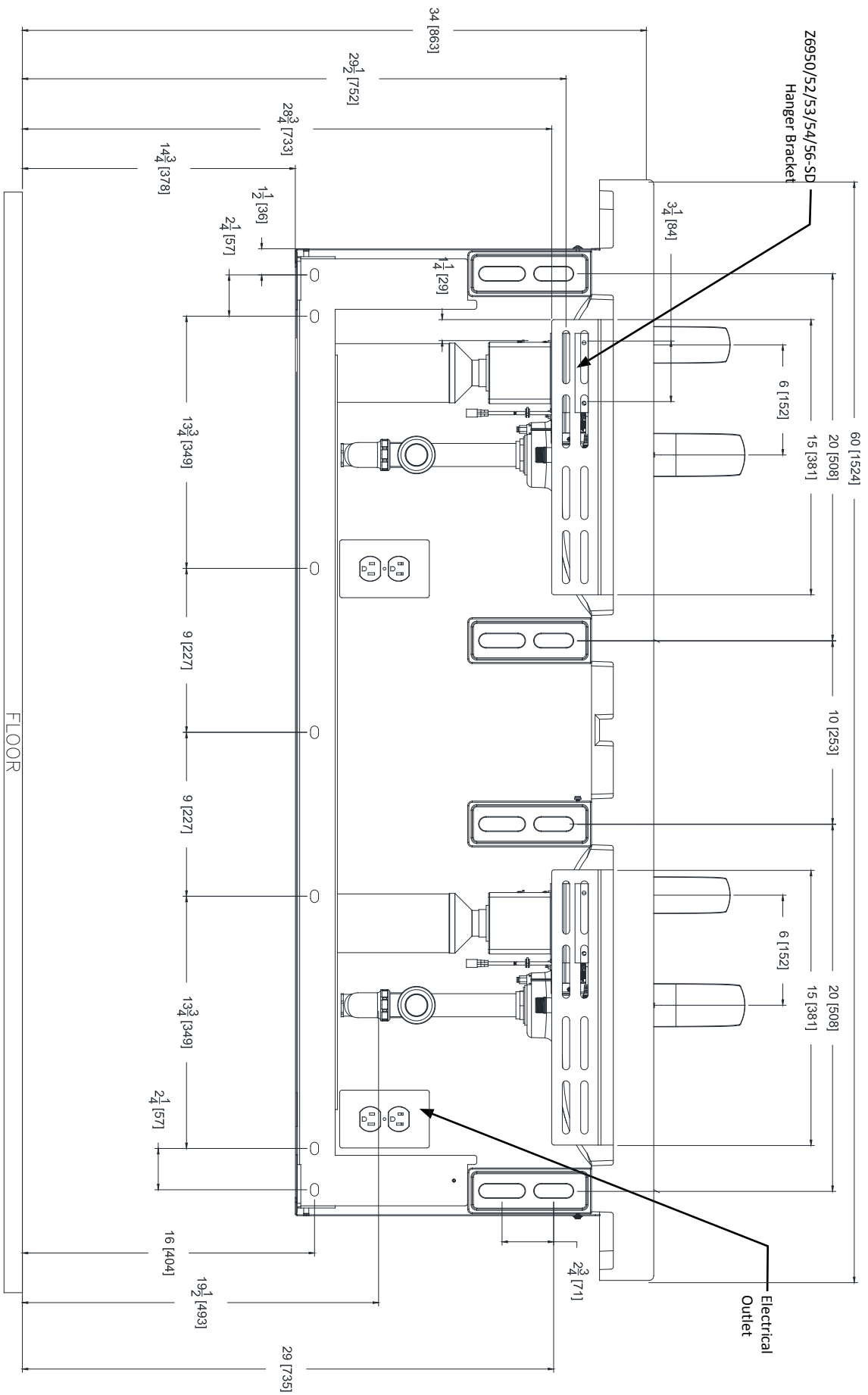


*S'assurer qu'aucun objet ne se trouve sur l'évier/le lavabo/le bac lors du branchement du capteur sur l'électronique, ce qui lance la fonction d'auto-étalonnage. Rien ne doit se trouver sur le lavabo pour permettre son auto-étalonnage correct (temps d'étalonnage de 30 à 60 s environ).*

# Z5005.02 Parts List

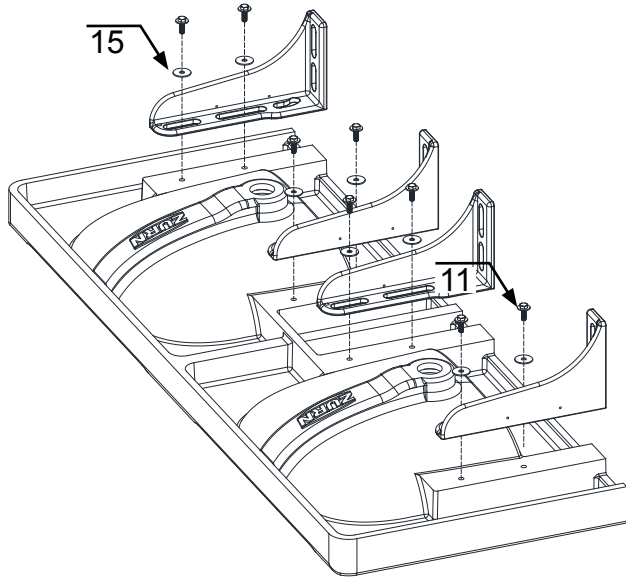


	Item Name	QTY
1	Basin	1
2	Shroud	1
3	Shroud Wall Bracket	1
4	Mounting (L) Bracket	4
5	"Wall Hanger Bracket (Available only for Retrofit)"	2
6	Solid Top Open Grid Drain	2
7	Water Supply Items	4
8	P Trap Assembly	2
9	Sensor Faucet	2
10	Soap Dispenser (If Ordered)	2
11	"5/16-18 Screw for Mounting L Bracket to Basin"	8
12	#10-24 Screw for Shroud	2
13	Coarse Screw for Wall Bracket	2
14	Flanged Socket Head Screw for Shroud	2
15	Oversize 5/16 Washer	8
16	3/8-16 Hex Bolt with washer	24
17	3/8" Toggle Never Drop Anchor	24
18	3/8 Fender Washer	16



Note: Installing the P-trap outlet lower than 19.5" from finished floor will prevent the vandal shroud from being installed.

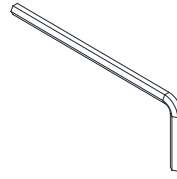
## L Brackets Installation



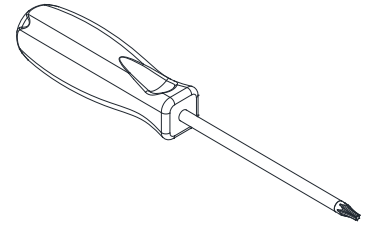
For ease of installation, lay basin on its top surface on a cushioned surface.  
Use socket wrench to torque the screws (approximately 4-5 complete turns bottom out approximately 5 ft-lbs of torque).

**Warning:** Do not overtighten the screws.  
**Avertissement :** ne pas trop serrer les vis.

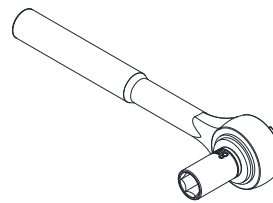
## Required Tools:



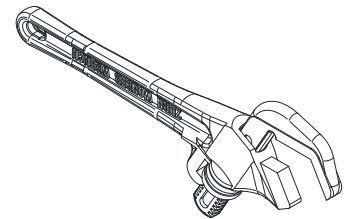
Allen Wrench:  
3mm



Torx Wrench:  
T10 & T25

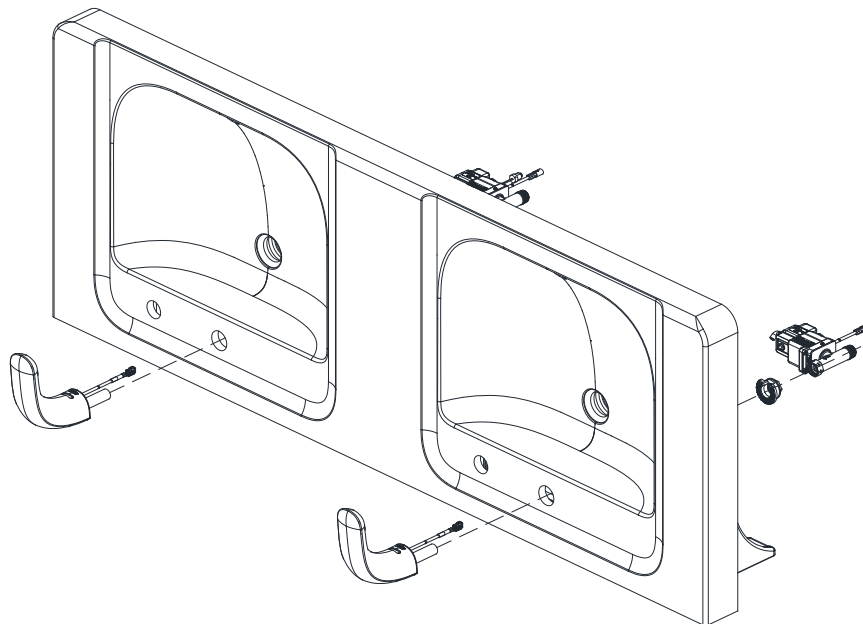


Socket Wrench:  
5/16" & 3/8"



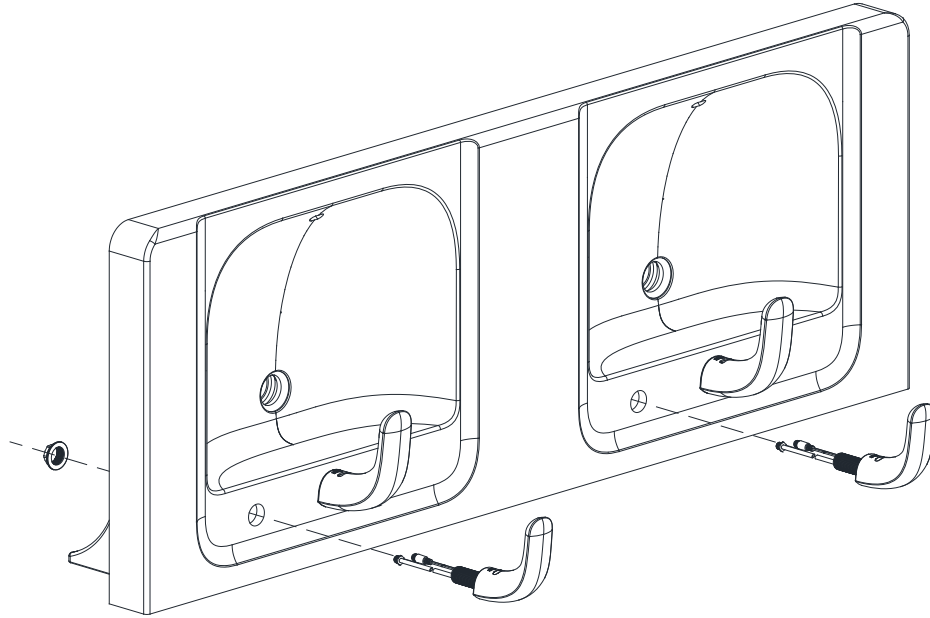
Non-toothed Wrench

## Faucet Installation



For ease of installation, lay basin on its back.  
Refer to faucet installation guide for details.

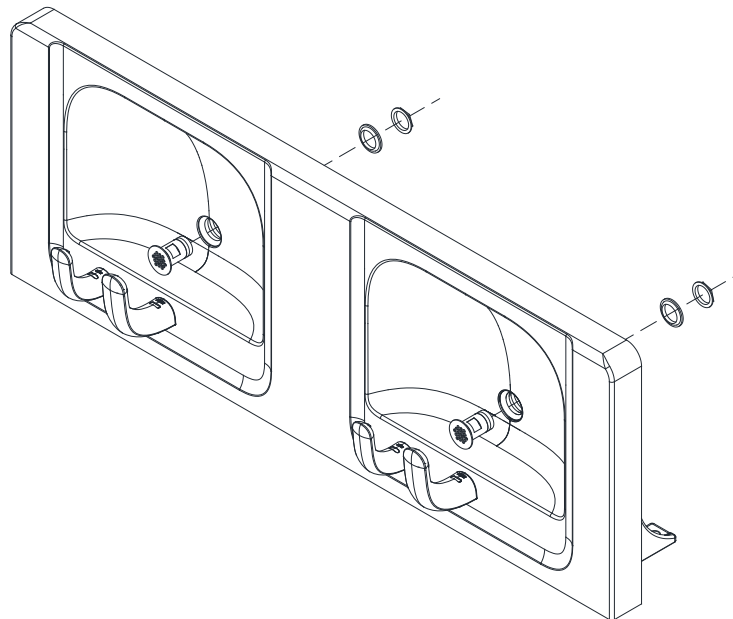
# Soap Dispenser Installation



For ease of installation, lay basin on its back.  
Install the soap spout on right or left soap hole as applicable.  
Refer to soap dispenser installation guide for details.

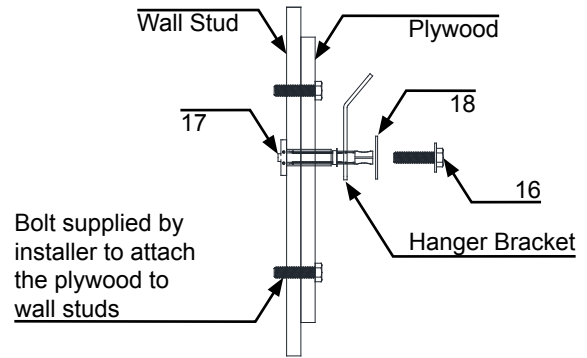
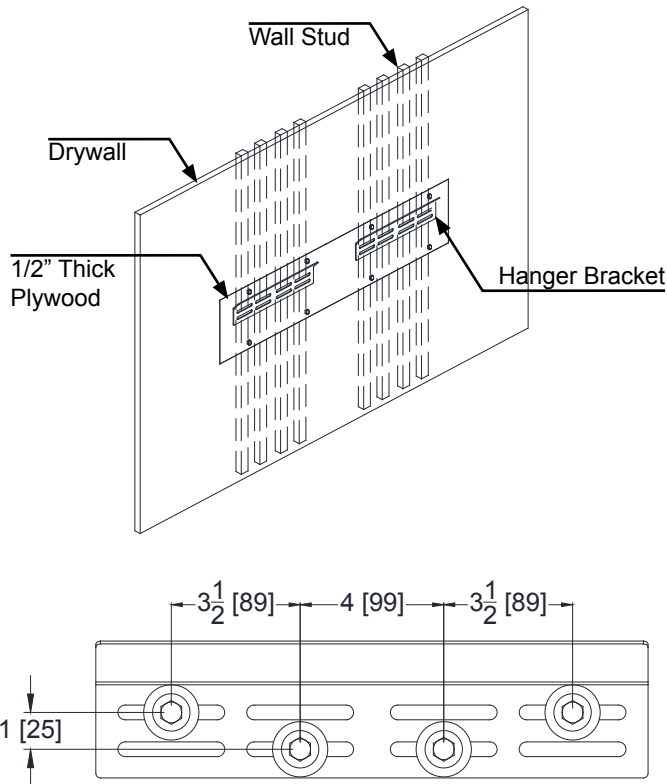
---

# Grid Drain Installation



For ease of installation, lay basin on its back.  
Place grid drain into drainage opening  
Fasten washer and nut from underside of basin

# Retrofitting Hanger Bracket Installation

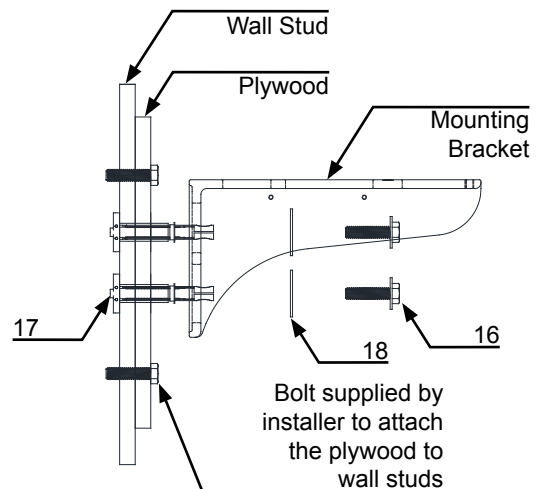
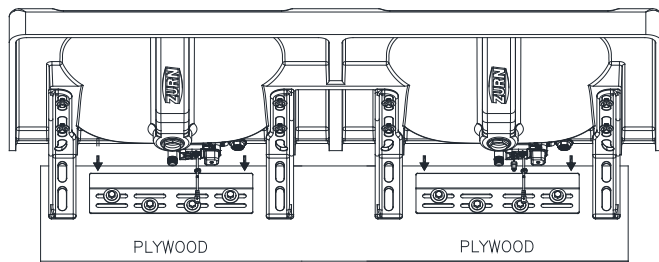


## Recommended for retrofit:

- Measure the rough in dimensions on the wall. Top edge of the cutout marked must be 2" below the basin top back edge.
- Cut the drywall to suitable size (60"x20") and attach a minimum of 1/2" thick plywood to the wall stud and flush to the drywall.
- Drill eight 3/4" holes in the plywood at the locations shown in the graphic to the left. Then, install the supplied toggle anchors to wall and secure the hanger bracket(s) directly to the plywood with the supplied bolts.
- Install hanger bracket to wall per structural rough-in. (Note: an offset might be necessary on applications using tile to get the basin and mounting brackets flush with wall and mating to bracket)
- The plywood should not be visible after basin and shroud installation.
- The bracket needs to be checked for level after installation.

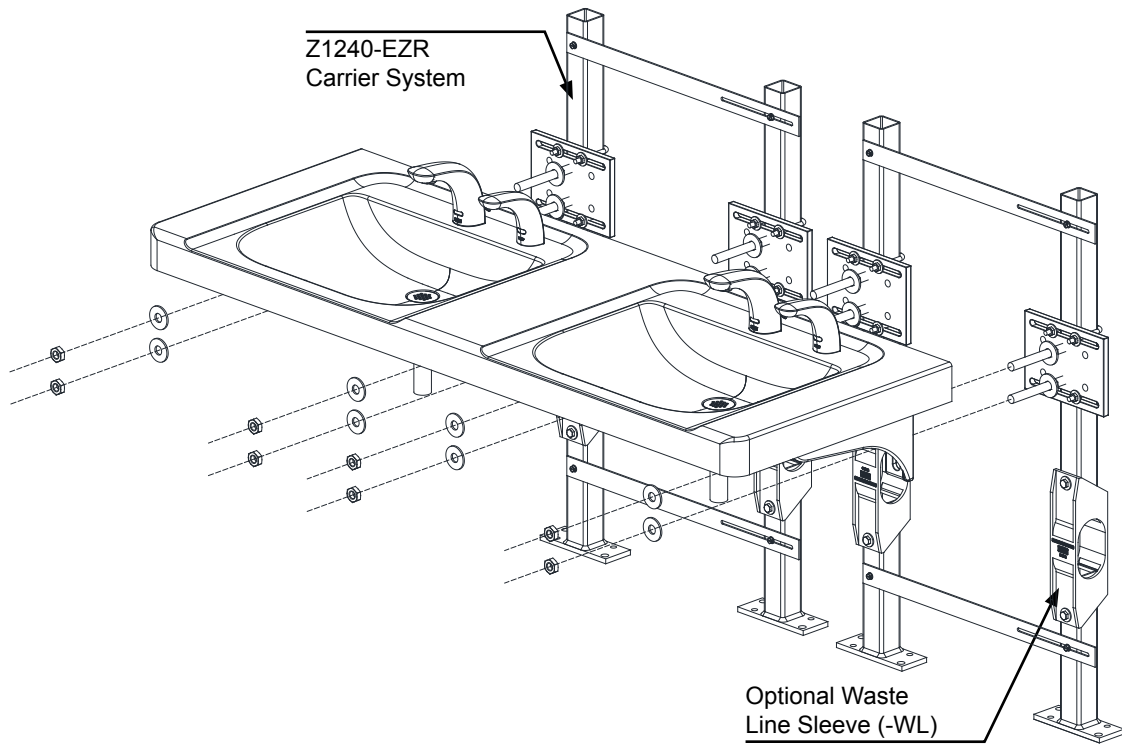
# Installing Mounting Bracket

- Secure the mounting bracket to the plywood cut-out with supplied washers, bolts and toggle anchors on the plywood.



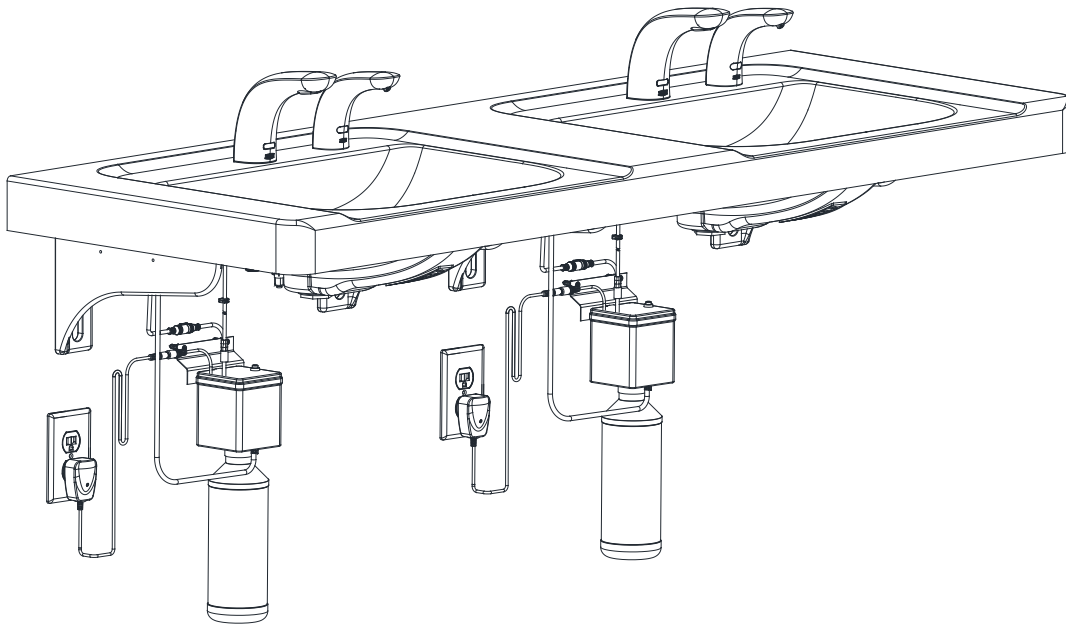
- ⚠ **Warning: Must be handled by at least 2 people**
- ⚠ **Warning: Ensure the basin back edge is completely supported in the wall bracket.**
- ⚠ **Avertissement : s'y prendre à deux minimum.**
- ⚠ **Avertissement : s'assurer que le bord arrière du bac est complètement soutenu par le support mural.**

# Installing with Carrier Option



⚠ Warning: Must be handled by at least 2 people  
⚠ Avertissement : s'y prendre à deux minimum.  
Refer to Carrier Rough-in & Installation guide for details.

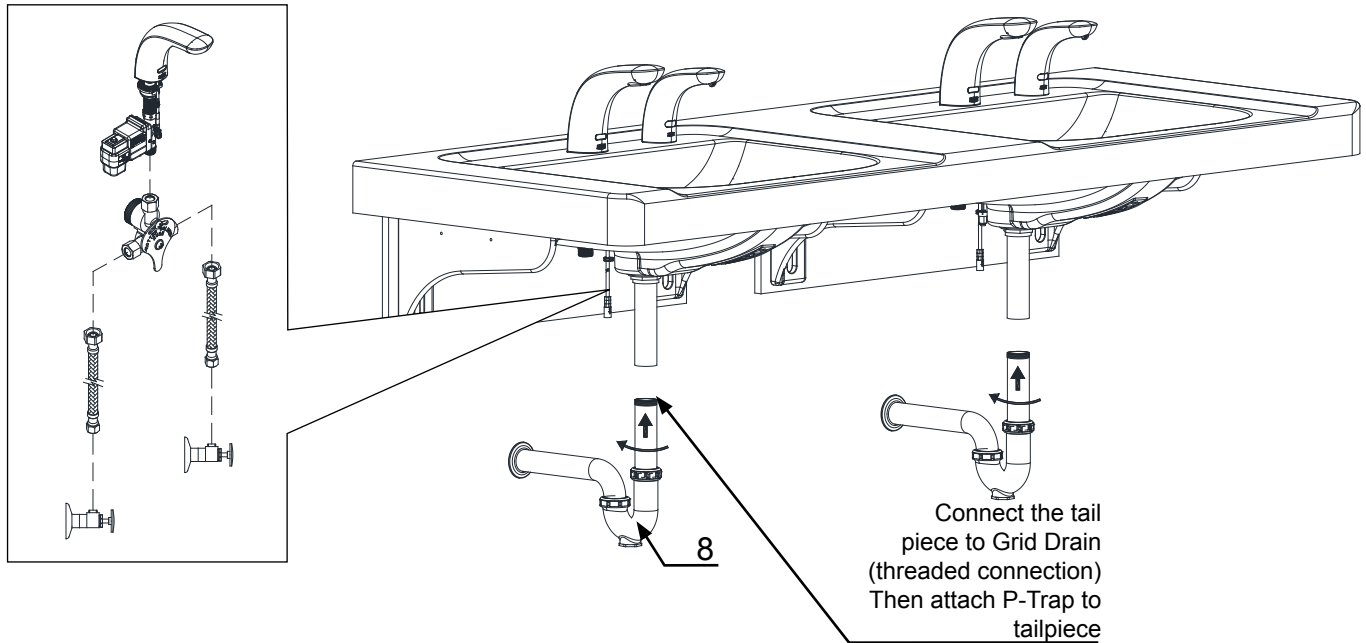
## Soap Dispenser Bracket and Bottle Installation



Refer to soap dispenser installation guide for details.



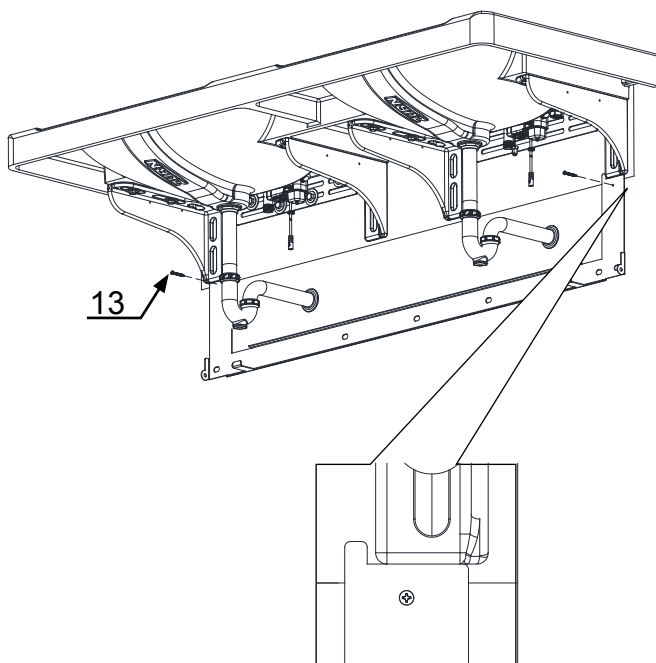
# P Trap Installation & Water Supply Connection to Faucet



Adjust the tail piece base on drain outlet on the wall.

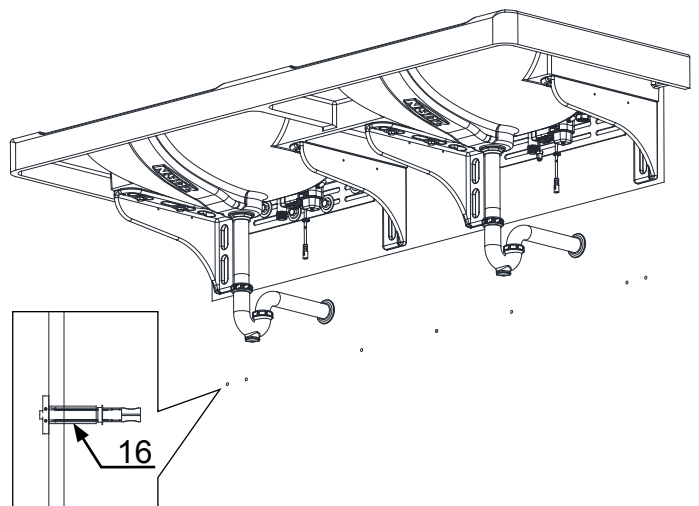
## Shroud Installation:

Step 1



- Align wall bracket as shown and install coarse screw on each side. Mark the slots in the wall bracket on the wall.

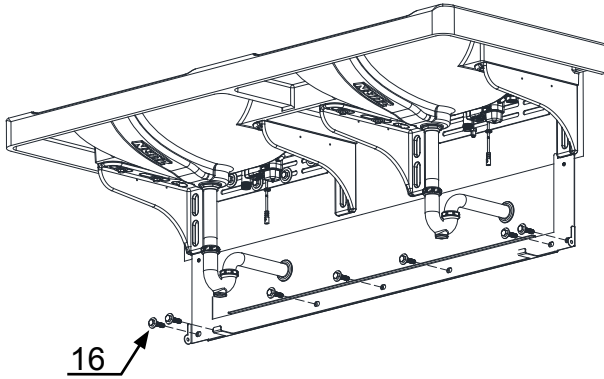
Step 2



- Remove the wall bracket and drill 3/4" holes into the center of the holes previously marked. (Note: For installation with carrier, do NOT drill the two outside holes. For retrofit applications, the two outside holes are recommended.) Ensure that wall studs are not immediately behind the marked hole locations prior to drilling.
- Install anchor toggle bolts into previously drilled holes in walls.

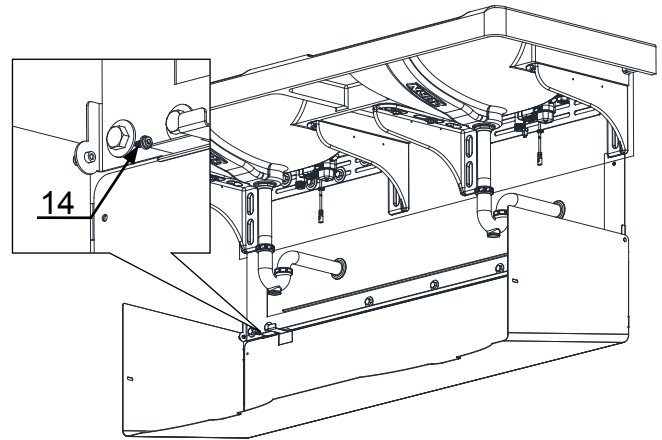
# Shroud Installation:

## Step 3



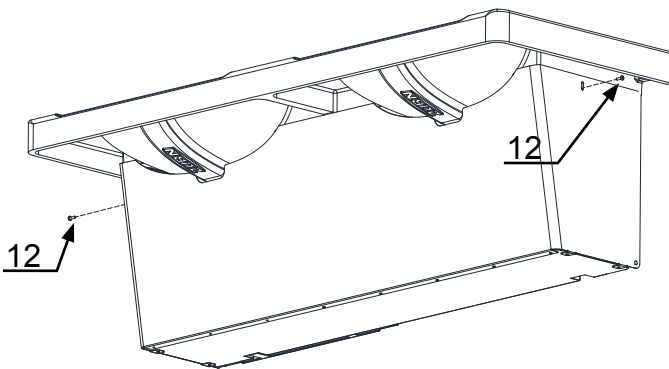
- Re-install wall bracket with coarse screws in previous location. Then, fasten the wall bracket with 3/8" bolts through each holes and into the toggle bolts.

## Step 4



- Place shroud on hanger hooks of wall bracket as shown. Then, insert each clevis pin through the 2 pivot points. (Note: the shroud will likely need to be rotated upward slightly in order to install each pivot.
- After one pivot is installed, retain clevis pins with the included cotter pins.

## Step 5



- Rotate the shroud up to the basin until the threaded hole in the L-bracket is visible through the slot in the shroud. Then, install the screw shown, and repeat for the other side.

## Trouble Shooting Guide:

Faucet Related Issues	Refer to Faucet Manual included with faucet
Soap Dispenser Issues	Refer to Soap Dispenser Manual included with soap dispenser

## Maintenance Instructions:

- Do not use any abrasive or chemical cleaners to clean the sink, faucet and other components.
- If abrasives or chemicals are used it can lead to dulling of luster, attacking of chrome plating or decorative finishes.
- ONLY use mildly warm soapy water, and then wipe dry with a clean/soft towel or cloth.
- When cleaning other areas of the restroom be sure the sensor lenses are protected from other cleaning chemicals/ solvents to prevent potential damages to the sensor and/or electronics.
- For surface shine, rubbing a polishing agent will polish the surface of all components.
- Frequent proper cleaning of solid surface sink will maintain the gloss level over time. Also, darker colors require more frequent cleaning and care. Dirt and residue can easily be removed from the basin surface by using water, mild soap solution, household ammonia-based cleaners, and/or solid surface cleaners available in market.
- In order to remove hard water and difficult stains on basin surface, use a sponge with diluted cleaner to rub in a circular motion. To disinfect basin surfaces, wipe the area with diluted bleach and then wash the surfaces and rinse with water.
- Avoid exposing solid surface basin with strong chemicals, such as acetone-based cleaners and solutions. If surfaces are exposed to these chemicals, quickly rinse the surface with water.

## Repair Instructions:

- Zurn recommends that damages should be repaired by certified solid surface fabricator or repair agents.
- Blemishes to the basin surface (such as scratches, burnmarks, and minor chipping) can be repaired by sanding with super-fine(800 or 1000 grit) sand paper and/or maroon Scotch-Brite™ pads and then followed with a low-speed (1500-2000 rpm) polisher with a wool pad and a solid surface cleaner or polish to buff the affected area.
- For more serious damage to the basin (size of a dime or larger), repair kits and instructions are available to purchase. Contact customer service for further information on ordering.

## Service Parts:

Part Number	Part Description	QTY
P5000-WH	Wall Hanger Assembly	1
P5000-BKT	Mounting (L) Bracket Assembly for Reef Basin	1
P5002-SH	Hardware Bag for Double Basin Shroud	1
P5000-WH-BAG	Wall Hanger Bracket Hardware Bag	1
P5000-BKT-BAG	Mounting (L) Bracket Hardware Bag	1