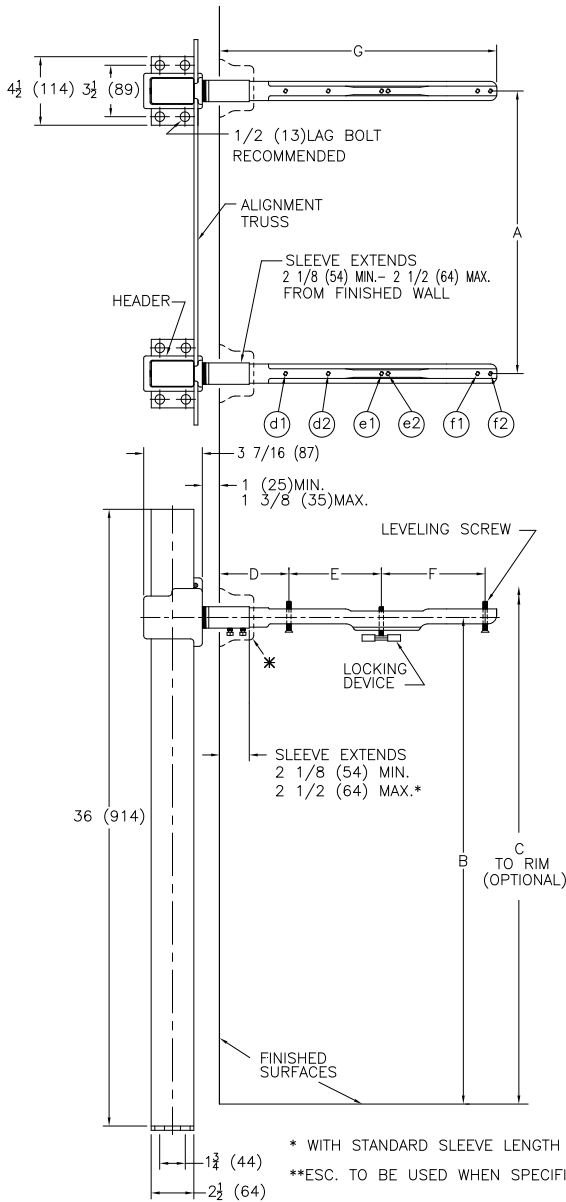




Z1231 INSTALLATION SHEET (TYPICAL INSTALLATION SHOWN) ARM STYLE -081

Dimensional data (inches and [mm]) are subject to manufacturing tolerances and change without notice.



A	B	C	D	E	F	G	HOLES	ESC
American Standard: 20-1/2 x 18-1/4 [521 x 464] Lucerne 0355.012, .034								
16-3/4 [425]	29-3/4 [756]	31 [787]	4 [102]	6 [152]	6 [152]	16-1/2 [419]	d1,e1,f2	YES
Crane: 20 x 18 [508 x 457] Norwich 1-165								
16-1/4 [413]	29-1/8 [740]	31 [787]	4 [102]	5-5/8 [143]	6-3/8 [162]	16-3/8 [416]	d1,e1,f2	YES
Eljer: 20 x 18 [508 x 457] Mayburne 051-2241, 051-2244, 051-2245, 051-2248								
17 [432]	29 [737]	31 [787]	4 [102]	5-5/8 [143]	5-5/8 [143]	16-3/8 [416]	d1,e1,f2	YES
Eljer: 20 x 18 [508 x 457] Maywyn 051-2614, 051-2718								
17-1/2 [444]	29 [737]	31 [787]	4 [102]	5-5/8 [143]	5-5/8 [143]	16-3/8 [416]	d1,e1,f2	YES

PARTS LIST	PART NUMBER
(2) Header	56311-001
(1) Alignment Truss (24[610])	28588-008
(2) Arm 02008-081	
(2) Arm Sleeve (4 [102])	82069-001
(4) Arm Set Screw (3/8-16 X 1/2 [13])	18006-071
(4) Header Set Screw (3/8-16 X 1/2 [13])	18006-071
(1) BAG # 8:	
(2) Locking Device	30027-001
(4) Leveling Screw (1/4-20 X 1-3/4 [45])	23453-042
(3) INSTRUCTION SHEET	Form #C3-C6

⚠ WARNING: Cancer and Reproductive Harm - www.P65Warnings.ca.gov
⚠ ADVERTENCIA: Cáncer y daño reproductivo - www.P65Warnings.ca.gov
⚠ AVERTISSEMENT: Cancer et effets néfastes sur la reproduction - www.P65Warnings.ca.gov

* Regularly furnished unless otherwise specified.