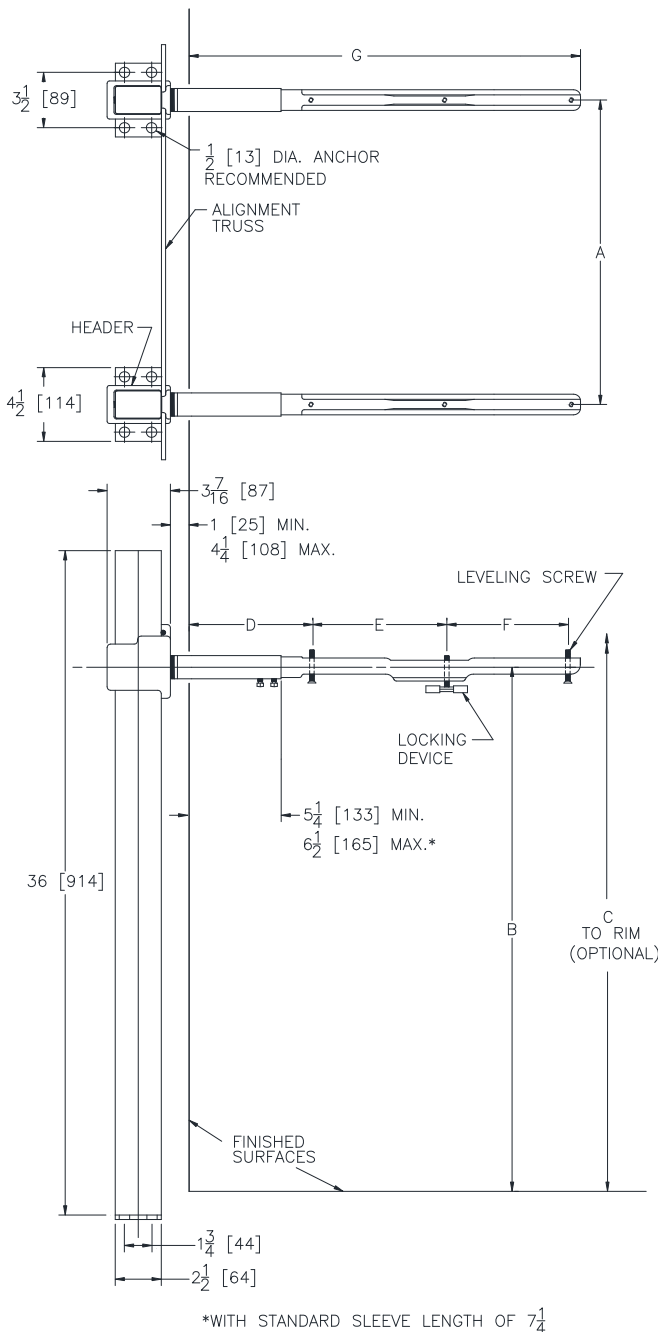




Z1231-79 INSTALLATION SHEET (TYPICAL INSTALLATION SHOWN)

Dimensional Data (inches and [mm]) are Subject to Manufacturing Tolerances and Change Without Notice



	A	B	C	D	E	F	G
American Std. (20 x 27)							
Wheelchair 9140.013, .021, .039, .047, .913, .947							
9141.011, .029, .035, .911							
16-3/4 [425]	32-1/4 [819]	34 [864]	7-1/2 [191]	7 [178]	7 [178]	21-7/8 [556]	
Eljer (20-1/2 x 27-1/4)							
Wheelchair 051-2961, 051-2964, 051-2968							
16-3/4 [425]	33 [838]	34 [864]	7-1/2 [191]	7 [178]	7 [178]	21-7/8 [556]	
Kohler (20 X 27)							
Morningside K-12634 K-12635 K-12636 K-12638							
16-3/4 [826]	32-1/2 [864]	34 [191]	7-1/2 [178]	7 [178]	7 [556]	21-7/8 [425]	
Sloan (20 x 27)							
ADA Wall Mount Lavatory SS-3804							
16-3/4 [425]	32-3/8 [822]	34 [864]	7-1/4 [184]	7 [178]	7 [178]	21-5/8 [549]	
Zurn Commercial Fixtures Lavatory (20-1/4 x 27)							
ADA Lavatories Z5331, Z5334, Z5338							
16-3/4 [425]	32-1/4 [819]	34 [864]	7-1/2 [191]	7 [178]	7 [178]	21-7/8 [556]	

PARTS LIST

PART NUMBER

(2) Header	56311-001
(1) Alignment Truss (24 [610])	28588-008
(2) Arm	02008-001
(2) Arm Sleeve (7-1/4 [184])	82069-002
(4) Arm Set Screw (3/8-16 X 1/2 [13])	18006-071
(4) Header Set Screw (3/8-16 X 1/2 [13])	18006-071

(1) BAG # 8:

(2) Locking Device	30027-001
(4) Leveling Screw (1/4-20 X 1-3/4 [45])	23453-042

(3) INSTRUCTION SHEET

Form #C3-C6

⚠ WARNING: Cancer and Reproductive Harm - www.P65Warnings.ca.gov

⚠ ADVERTENCIA: Cáncer y daño reproductivo - www.P65Warnings.ca.gov

⚠ AVERTISSEMENT: Cancer et effets néfastes sur la reproduction - www.P65Warnings.ca.gov

* Regularly furnished unless otherwise specified.

Zurn Industries, LLC | Specification Drainage Operation
1801 Pittsburgh Avenue, Erie, PA U.S.A. 16502 · Ph. 855-663-9876, Fax 814-454-7929
In Canada | **Zurn Industries Limited**
3544 Nashua Drive, Mississauga, Ontario L4V 1L2 · Ph. 905-405-8272, Fax 905-405-1292
www.zurn.com

Rev. L
Date: 04/11/2018
C.N. No. 139873
Form No. C4