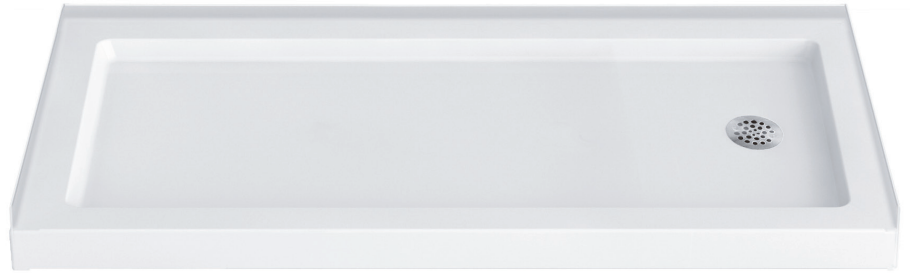
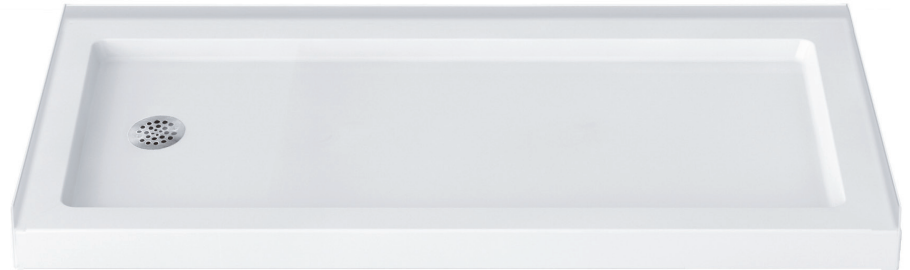


As a great space-saving option, the surprisingly spacious round corner shower will allow you to optimize your space. For an uncomplicated design configuration, we offer a replacement rectangular base that provides an alternative to your old built-in bathtub. Both configurations feature moulded tile flanges and are CUPC certified.

RIGHT DRAIN B6032ERER1



LEFT DRAIN B6032EREL1

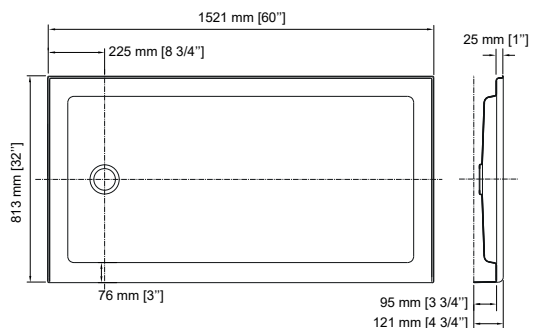
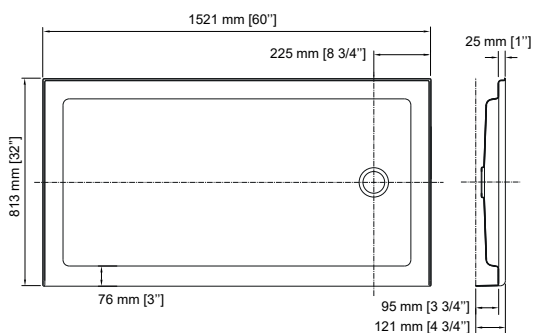


Shower base

PURE ACRYLIC REINFORCED WITH FIBERGLASS
60" X 32" RIGHT / LEFT DRAIN

Left drain : B6032EREL1
Right drain: B6032ERER1
Box #1 :
63" x 35" x 5 1/2"
1600 mm x 889 mm x 140 mm
61.5 lbs (27.6 kg)

Total number of box : 1



- Design with pure forms
- Dimensions for replacing a built-in bath
- White glossy interior surfaces
- Smooth background
- Shell of pure acrylic reinforced with 4 layers of fiberglass
- 1" (3/8") molded tiling flanges
- Threshold of 3"
- Left or right drain
- Suitable for replacing a 60" alcove bath
- Support legs
- Several sizes and configurations available
- Standard drain not included
- Easy installation and maintenance
- 10 years warranty
- CUPC certificated



The dimensions are subject to manufacturer's tolerance and may change without notice

www.zitta.ca