

The Xenia series is a one of a kind shower design that fits any space. It is perfectly functional and stylish for a small bathroom yet is refined enough for a big one. The clean, elegant and structured lines allow you to incorporate it to any style of bathroom decor. The Xenia door will amaze you with its capacity to offer an innovative space saving design, which provides a great opening without sacrificing the sophisticated allure. The infold door system slides half way inside the shower, giving you a large opening without needing much room outside.



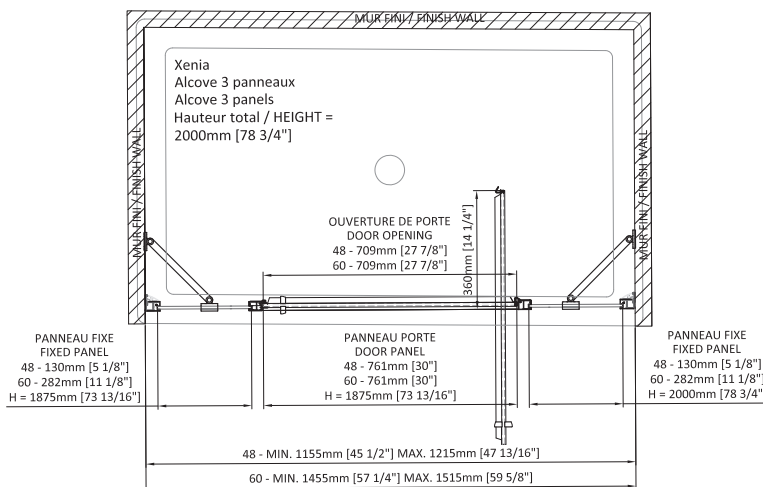
XENIA

SHOWER DOOR ALCOVE 1DOOR, 2 FIXED

Door 48" : DXN4800ASTC21
 Box #1
 81 1/8" x 35" x 2 3/4"
 2060 mm x 890 mm x 70 mm
 91.49 lbs (41.5 kg)
 Box #2
 81 3/16" x 9 1/4" x 1 5/8"
 2065 mm x 235 mm x 42 mm
 20.06 lbs (9.1 kg)

Door 60" : DXN6000ASTC21
 Box #1
 81 1/8" x 35" x 2 3/4"
 2060 mm x 890 mm x 70 mm
 91.49 lbs (41.5 kg)
 Box #2 :
 81 1/4" x 15 1/8" x 1 5/8"
 2065 mm x 385 mm x 42 mm
 33.07 lbs (15 kg)

Total number of boxes : 2



- Large door opening
- Infold door slides 14" inside, saving space outside the shower
- Reversible left or right
- Height of 78 3/4" (2000mm)
- Interior and exterior double handle in polished stainless-steel
- ZittaClean stain resistant glass treatment
- Fixed panel and door panel 8mm
- Soft rolling guaranteed for life
- Spring ball closing
- Preassembled doorframe
- Finishing caps on extrusions
- Aluminium threshold with sealing gasket
- Support bar for fixed and return panels
- Anti-jump bearings keep the door on the rail
- Vertical seals
- Safe tempered glass with polished edges
- Adjustment of the pivots level
- Adjustment of door panel level by the rollers
- Adjustment of the fixed panel level by the wall extrusion (1" - 25mm)

