

To constantly surprise you and meet your needs we offer a range of accessories to enhance your moments of relaxation. Here you will find many functional complementary products which are manufactured according to Zitta's quality standards.



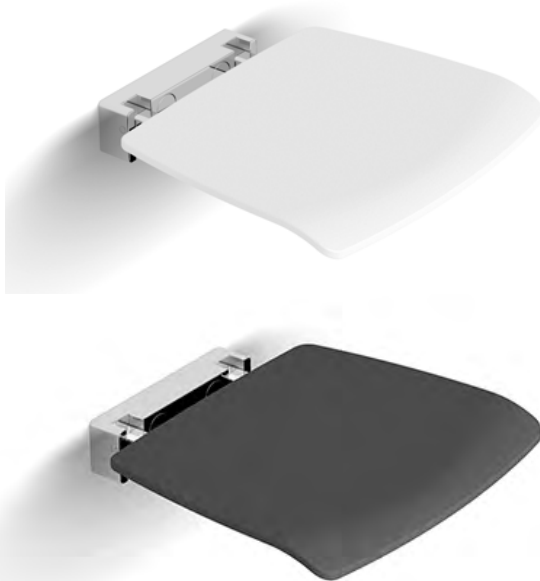
# SHOWER SEAT

polyurethane, white or charcoal

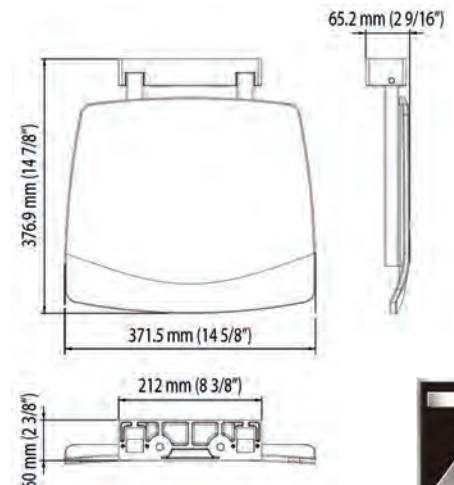
White : AS00271  
Box #1 :  
15 ¼" x 15 ½" x 2" , 7.8 lbs  
387mm x 394mm x 51mm , 3.5 kg

Charcoal : AS00277  
Box #1 :  
15 ¼" x 15 ½" x 2" , 7.6 lbs  
387mm x 394mm x 51mm , 3.4 kg

Total number of box : 1



- Simple and ergonomic shape
- Comfortable curves
- Made of white or charcoal polyurethane
- Stainless steel base
- Aluminum arms
- Retractable seat
- Finishing caps to hide hardware
- Sturdy installation



The dimensions are subject to manufacturer's tolerance and may change without notice.

[www.zitta.ca](http://www.zitta.ca)

