

To constantly surprise you and meet your needs we offer a range of accessories to enhance your moments of relaxation. Here you will find many functional complementary products which are manufactured according to Zitta's quality standards.

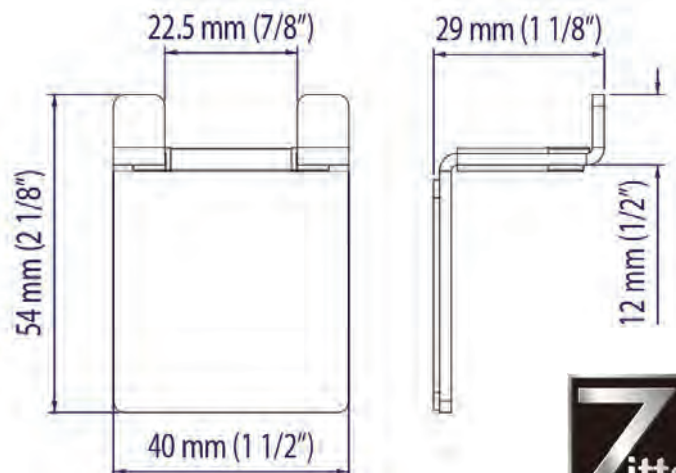


Unit : AS00362
Box #1 :
2 3/4" x 3" x 2 1/2" , 1.3 lbs
70mm x 76mm x 64mm , 0.6 kg
Total number of box : 1

SINGLE HOOK

max capacity : 5 lbs (2.2 kg)

- Simple and modern shape
- Discreet appearance
- Stainless polished steel
- High quality adhesive **3M**
- Anti-slip covering on the hook
- Installed on multiple surfaces
- Maximum capacity of 5 lbs (2.2 kg)



The dimensions are subject to manufacturer's tolerance and may change without notice.

www.zitta.ca

