

**For Potable Hot Water Applications**

Job Name \_\_\_\_\_  
 Job Location \_\_\_\_\_  
 Engineer \_\_\_\_\_  
 Approval \_\_\_\_\_

Contractor \_\_\_\_\_  
 Approval \_\_\_\_\_  
 Contractor's P.O. No. \_\_\_\_\_  
 Representative \_\_\_\_\_

**LEAD FREE\***

**Series DETA**  
**ASME – Pressurized Expansion**  
**Tanks for Potable Hot Water**

**Models DETA 5 to DETA 210**

Watts Model DETA Tanks are ASME fixed bladder type pre-charged expansion tanks for commercial and industrial fresh potable hot water applications. They are designed to accept the expanded volume of hot water keeping the system pressure below the relief valve setting. The water is contained in a butyl bladder.

**Features**

- ASME Section VIII Construction
- Fixed Butyl Bladder (FDA approved)
- Stainless Steel System Connection
- Precharged to 40 psi (Field Adjustable)

**Construction**

Shell: Carbon steel  
 System Connection: Stainless steel  
 Bladder: Butyl (FDA approved)  
 Prime painted exterior

**Pressure – Temperature**

**Maximum Design Pressure:**  
 DETA 5 through DETA 210: 150 psi (10 bar)  
 Precharged to 40 psi (275 kPa)  
**Maximum Design Temperature:** 240°F (115°C)

**Specifications**

Furnish and install as shown on plans a Watts Model DETA \_\_\_\_\_ gallon \_\_\_\_\_ " diameter x \_\_\_\_\_ " (high) pre-charged steel thermal expansion tank with a fixed butyl bladder. The tank shall have a top NPT stainless steel system connection and a .302" - 32 charging valve connection (standard tire valve) to facilitate the on-site charging of the tank to meet system requirements. The tank must be constructed in accordance with Section VIII of the ASME Boiler and Pressure Vessel Code.

**\*The wetted surface of this product contacted by consumable water contains less than 0.25% of lead by weight.**



**Schedule**

MODEL NUMBER	TANK VOLUME GALLONS	ACCEPTANCE VOLUME GALLONS	TAGGING INFORMATION	QUANTITY
DETA 5	3.5	2.3		
DETA 12	5	3.3		
DETA 20	8	5.3		
DETA 30	15	10.0		
DETA 42	22	14.5		
DETA 60	26	17.5		
DETA 80	35	23.5		
DETA 100	45	30		
DETA 125	60	40		
DETA 160	70	47		
DETA 180	80	53		
DETA 210	90	60		

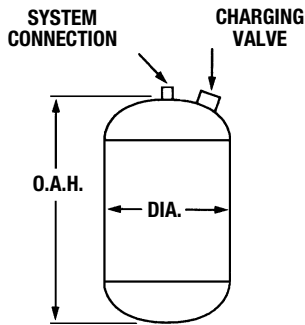
**NOTICE**

The information contained herein is not intended to replace the full product installation and safety information available or the experience of a trained product installer. You are required to thoroughly read all installation instructions and product safety information before beginning the installation of this product.

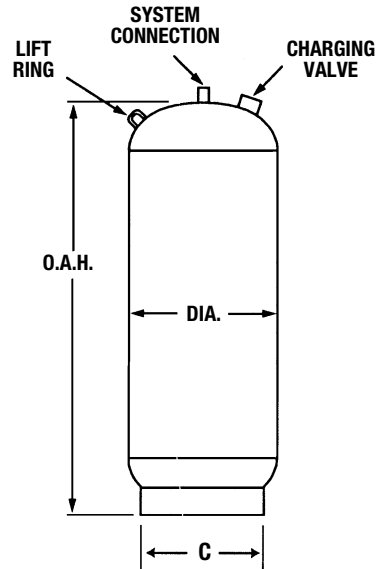
Watts product specifications in U.S. customary units and metric are approximate and are provided for reference only. For precise measurements, please contact Watts Technical Service. Watts reserves the right to change or modify product design, construction, specifications, or materials without prior notice and without incurring any obligation to make such changes and modifications on Watts products previously or subsequently sold.



## Thermal Expansion Tanks — Pressurized



DETA 5 and DETA 12



DETA 20 through DETA 210

## Dimensions — Weight

MODEL NUMBER	SYSTEM CONNECTION DN		MAX. OPERATING PRESSURE (PSIG)	DIA.		DIMENSIONS HEIGHT		C		WEIGHT*	
	in.	mm		in.	mm	in.	mm	in.	mm	lbs.	kgs.
DETA 5	3/4	20	150	10	254	14	356	—	—	22	10
DETA 12	3/4	20	150	12	305	14	356	—	—	28	13
DETA 20	3/4	20	150	12	305	20	508	10	254	34	15
DETA 30	1	25	150	16	406	24	609	14	356	64	29
DETA 42	1	25	150	16	406	31	788	14	356	88	40
DETA 60	1	25	150	16	406	34	864	14	356	93	42
DETA 80	1	25	150	16	406	45	1143	14	356	109	49
DETA 100	1	25	150	20	508	39	990	18	457	148	67
DETA 125	1	25	150	20	508	50	1270	18	457	175	79
DETA 160	1 1/2	40	150	24	610	47	1701	22	559	259	117
DETA 180	1 1/2	40	150	24	610	50	1270	22	559	268	122
DETA 210	1 1/2	40	150	24	610	53	1346	22	559	283	128

(\*approximate)

### NOTICE

Tanks are factory pre-charged at 40 psi and field adjustable.  
Lift ring on models DETA 42 through DETA 210.



A Watts Water Technologies Company

USA: Tel: (978) 689-6066 • Fax: (978) 975-8350 • Watts.com

Canada: Tel: (905) 332-4090 • Fax: (905) 332-7068 • Watts.ca

Latin America: Tel: (52) 81-1001-8600 • Fax: (52) 81-8000-7091 • Watts.com