

Engineering Specification

Job Name _____
 Job Location _____
 Engineer _____
 Approval _____
 Tag _____

Contractor _____
 Approval _____
 Contractor's P.O. No. _____
 Representative _____

CO20

Cast Iron Adjustable Floor Cleanout w/Round Top

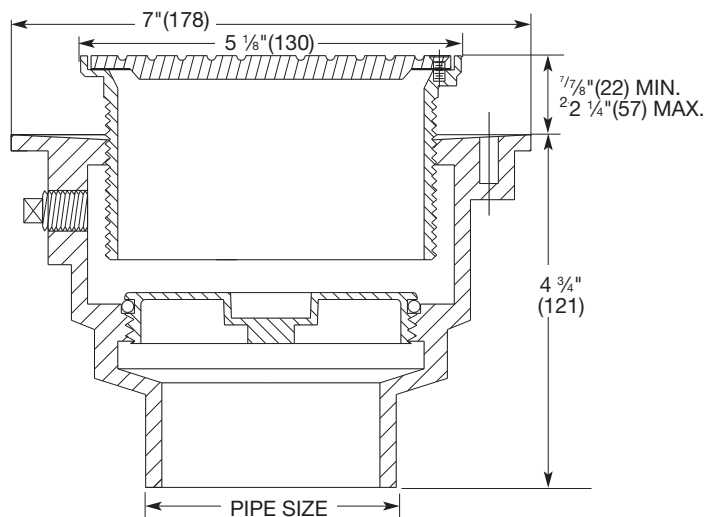
Specifications

Watts Light Commercial CO20 cast iron adjustable floor cleanout with round nickel bronze, ductile iron, or stainless steel non-skid top, and removable gasketed brass cleanout plug.



Pipe Size		
Suffix	Description	
-2PT	2"(51) Push-On	<input type="checkbox"/>
-3NH	3"(76) No Hub	<input type="checkbox"/>
-3PT	3"(76) Push-On	<input type="checkbox"/>
-4NH	4"(102) No Hub	<input type="checkbox"/>
-4PT	4"(102) Push-On	<input type="checkbox"/>
-4NH	4" (102)No Hub	<input type="checkbox"/>

Options		
Suffix	Description	
-DI	Ductile Iron Top	<input type="checkbox"/>
-SS	Stainless Steel Top	<input type="checkbox"/>
-VP	Vandal Proof Screws	<input type="checkbox"/>



CO20

NOTICE

The information contained herein is not intended to replace the full product installation and safety information available or the experience of a trained product installer. You are required to thoroughly read all installation instructions and product safety information before beginning the installation of this product.

Watts product specifications in U.S. customary units and metric are approximate and are provided for reference only. For precise measurements, please contact Watts Technical Service. Watts reserves the right to change or modify product design, construction, specifications, or materials without prior notice and without incurring any obligation to make such changes and modifications on Watts products previously or subsequently sold.



USA: T: (800) 338-2581 • F: (828) 248-3929 • Watts.com
Canada: T: (888) 208-8927 • F: (905) 481-2316 • Watts.ca
Latin America: T: (52) 55-4122-0138 • Watts.com