

## Light Commercial

Job Name \_\_\_\_\_

Contractor \_\_\_\_\_

Job Location \_\_\_\_\_

Approval \_\_\_\_\_

Engineer \_\_\_\_\_

Contractor's P.O. No. \_\_\_\_\_

Approval \_\_\_\_\_

Representative \_\_\_\_\_

Tag \_\_\_\_\_

# FD7-R

## PVC/ABS Floor Drain w/Round Strainer

### Specification:

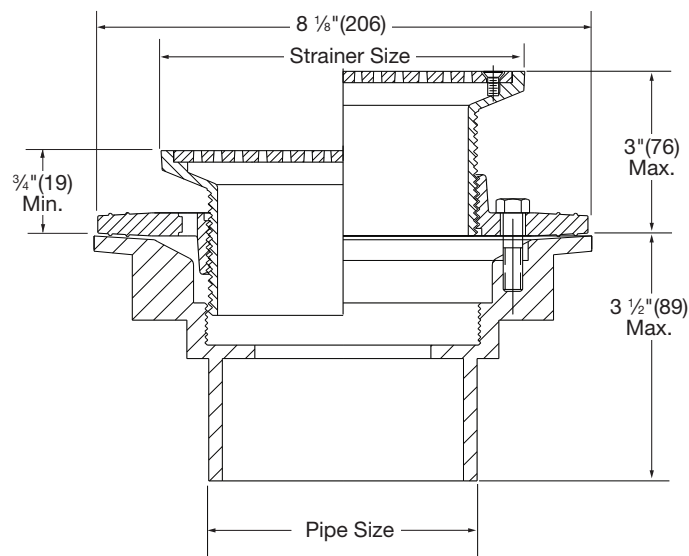
Watts Light Commercial FD7-R PVC or ABS floor drain with reversible clamping collar, and adjustable round nickel bronze, ductile iron, or stainless steel strainer.



Pipe sizing (select one)		
Suffix	Description	
-2PVC	2"(51) PVC	<input type="checkbox"/>
-2ABS	2"(51) ABS	<input type="checkbox"/>
-3PVC	3"(76) PVC	<input type="checkbox"/>
-3ABS	3"(76) ABS	<input type="checkbox"/>
-4PVC	4"(102) PVC	<input type="checkbox"/>
-4ABS	4"(102) ABS	<input type="checkbox"/>

Strainers (select one)		
Suffix	Description	
-5R	5"(127) Round Nickel Bronze	<input type="checkbox"/>
-5RDI	5"(127) Round Ductile Iron	<input type="checkbox"/>
-5RSS	5"(127) Round Stainless Steel	<input type="checkbox"/>
-6R	6"(152) Round Nickel Bronze	<input type="checkbox"/>
-6RP	6"(152) Round PVC	<input type="checkbox"/>
-6RSS	6"(152) Round Stainless Steel	<input type="checkbox"/>

Options (Select One or More)		
Suffix	Description	
-B	Sediment Bucket	<input type="checkbox"/>
-BV	Backwater Valve	<input type="checkbox"/>
-E	Strainer Extension	<input type="checkbox"/>
-G	CI Round Funnel	<input type="checkbox"/>
-GNB	NB Round Funnel	<input type="checkbox"/>
-H	CI Oval Funnel	<input type="checkbox"/>
-HNB	NB Oval Funnel	<input type="checkbox"/>
-TPT	Trap Primer Tapping	<input type="checkbox"/>
-VP	Vandal Proof Screws	<input type="checkbox"/>



**FD7-R**

### NOTICE

The information contained herein is not intended to replace the full product installation and safety information available or the experience of a trained product installer. You are required to thoroughly read all installation instructions and product safety information before beginning the installation of this product.

Watts product specifications in U.S. customary units and metric are approximate and are provided for reference only. For precise measurements, please contact Watts Technical Service. Watts reserves the right to change or modify product design, construction, specifications, or materials without prior notice and without incurring any obligation to make such changes and modifications on Watts products previously or subsequently sold.



USA: T: (800) 338-2581 • F: (828) 248-3929 • Watts.com

Canada: T: (905) 332-4090 • F: (905) 332-7068 • Watts.ca

Latin America: T: (52) 55-4122-0138 • Watts.com

ES-WDLC-FD7-R 1947

© 2019 Watts