

HIGHGATE

HGLS01

Highgate Low Profile Three Hole Deck Mounted Lavatory Faucet with Metal Cross Handles



SHOWN IN HIGHGATE LOW PROFILE THREE HOLE DECK MOUNTED LAVATORY FAUCET WITH METAL CROSS HANDLES]

TECHNICAL DETAILS

ADA Compliance: Yes
 Adjustable versus Fixed Spray: Fixed Spray
 Deck Thickness Maximum: 1 7/8"
 Deck Thickness Minimum: 3/8"
 Drain Depth Maximum: 2"
 Drain Hole Diameter: 1 1/2"
 Escutcheon Primary Material: Brass
 Fittings Hole Diameter: 1 3/8"
 Flow Restriction Options: 1.0, 1.2, 1.5, 1.75, 2.2
 Handle Spread Maximum: 12"
 Handle Spread Minimum: 8"
 Handle Turn Angle: Quarter Turn
 Index Color / Finish and Material: White Porcelain
 Depth / Width: 6 11/16"
 Drain Depth Minimum: 1 1/4"
 Height: 4 3/8"
 Index Marking: H/C
 Inlet Connection Size: 1/2"
 Inlet Connection Type: Male with Supply Nut
 Inlet Supply Spread Maximum: 12"
 Inlet Supply Spread Minimum: 8"
 Installation Type: Deck Mounted
 Integrated Diverter: N
 Integrated Spray: N
 Number of Handles: Two
 Number of Holes: Three Hole
 Primary Material: Brass
 Spout Swivel: N
 Spray Included in Unit: N
 Suggested Application: Bath
 Valve Material: Ceramic
 Water Pressure Maximum: 85.0 psi
 Water Pressure Minimum: 20.0 psi
 Water Pressure Recommended: 45.0 psi

INSPIRATION

Our take on old English style: simple, functional shapes, detailed with white porcelain indices and hexagonal accents for a timeless feel.

CODES & STANDARDS

Code # HGLS01: Complies with ASME A112.18.1/CSA B125.1, ASME A112.18.2/CSA B125.2, CEC, NSF 61, NSF 372, Watersense, ADA and 0.25% Weighted Average Lead content. Certified with IAPMO, cUPC, CEC, DOE, NSF, State of MA, WRAS and WaterSense.

PRODUCT FEATURES

Low profile faucet with stepped handle bases, cast of brass
 All finishes available for immediate shipment (subject to availability)
 Cross handles feature hot and cold markings on white porcelain indices
 Standard flow rate is 1.2gpm (4.5 L/min) and meets State of California requirements. Also available in other flow options. Contact a sales associate for details.

CERTIFICATIONS



PRODUCT (NOTES)

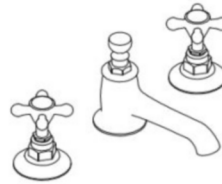
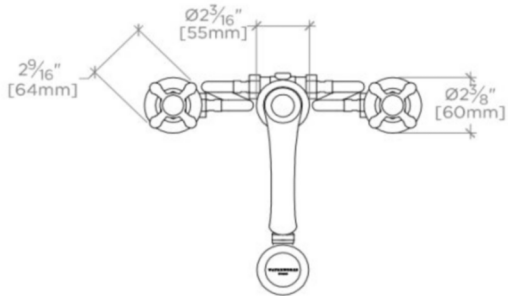
USA style drain included.

WATERWORKS

HIGHGATE

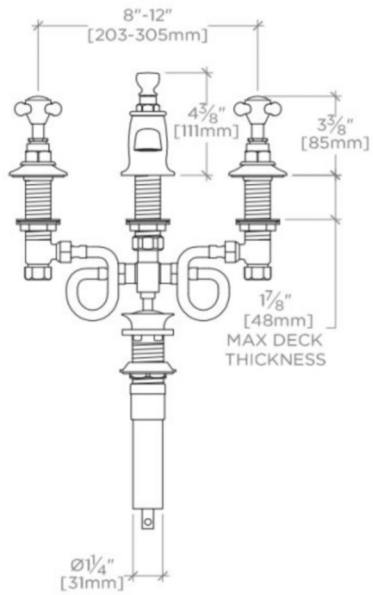
HGLS01

Highgate Low Profile Three Hole Deck Mounted Lavatory Faucet with Metal Cross Handles



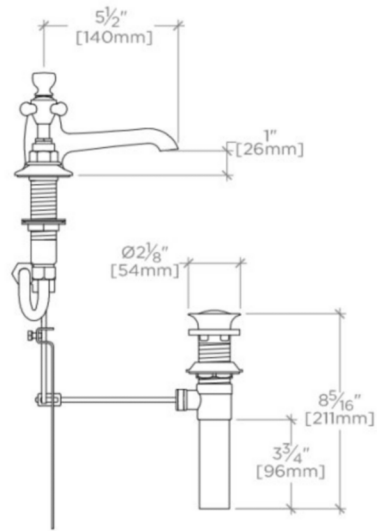
TOP VIEW

SCALE: $1\frac{1}{2}''=1'-0''$



FRONT VIEW

SCALE: $1\frac{1}{2}''=1'-0''$



SIDE VIEW

SCALE: $1\frac{1}{2}''=1'-0''$